

SPT[®]

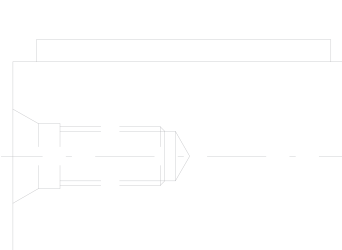
SONG PIN TECHNOLOGY CO., LTD.

精密行星減速機













PLANETARY REDUCER



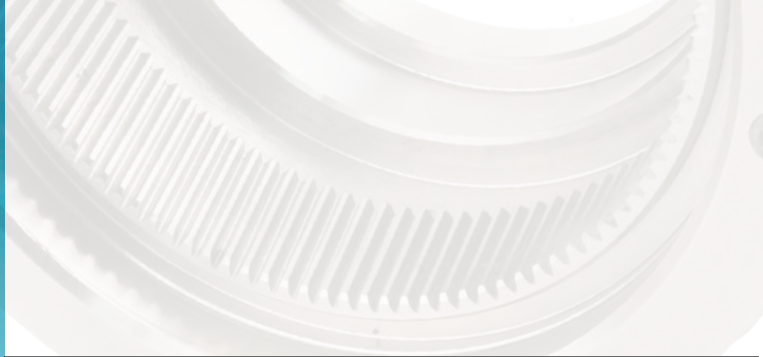
FOR SERVO MOTOR REDUCER



目錄索引 Table Of Contents

	SG Series	1
	SGL Series	5
	SE Series	9
	SD Series	12
	SGS Series	15
	SGR Series	18
	ST Series	21
	SP Series	24
	PG Series	27
	PE Series	28
	VG Series	30
	HK Series	33





High Precision Planetary Reducer



產品簡述 Product Description

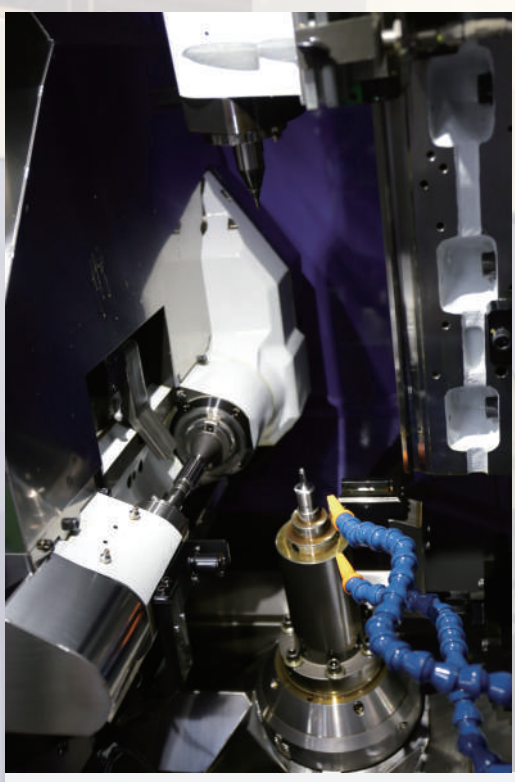
SPT 行星式減速機以高品質與專業研發、客制化服務供應各界自動化領域之多元化需求，所生產研發之行星式螺旋齒輪減速機是針對高性能的設備需求而設計，於伺服控制的應用上，發揮了良好的伺服剛性效應，準確的精密定位控制，具備了低背隙、高效率、高輸入轉速、運轉平順、低噪音等特性。其外觀及結構設計上也力求緊湊並輕量化，讓伺服馬達具有高效率的運轉，並減低其負載慣量，降低轉速並提高扭矩。伺服行星式減速機廣泛用於航太工業、半導體設備、工具機械、自動化產業、產業用機器人、醫療檢驗、精密測試儀器等。

The SPT planetary reducer with high quality, professional R&D, customized service to supply all the diverse needs of the automation field. The planetary helical gear reducer is designed for high-performance equipment needs, and plays a good servo rigidity effect in its control applications. Accurate precision positioning control has the characteristics, such as, low backlash, high efficiency, high input speed, smooth running and low noises. The excellent structure design also achieved to compact and lightweight servo motors with high efficiency operation, lower the load inertia, reduce speed and increase torque.

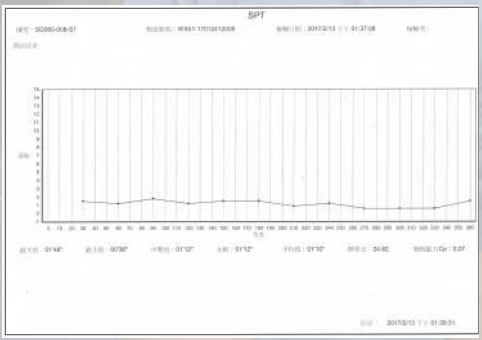
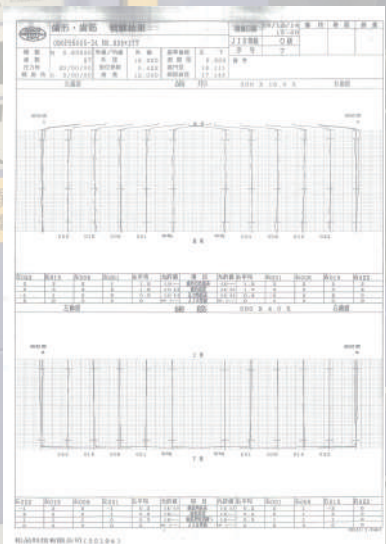
The servo planetary reducer is widely used in the aerospace industry, semiconductor equipment, machine tools, automation industry, industrial robots, medical examinations and precision testing equipments.



品質檢驗設備
BEST QUALITY



High Precision Gear Processing
高精密加工設備



機種型號標示

Indication of Model Numbers

SG	90	10	S1	P0	MOTOR
1st digits	2nd digits	3rd digits	4th digits	5th digits	6th digits

1st+2nd digits 減速機型及型號 / TYPE & Model

SG	042 / 060 / 090 / 115 / 142 / 180
SGL	042 / 060 / 090 / 115 / 142 / 180
SE	042 / 060 / 090 / 115 / 142 / 180
SD	047 / 064 / 090 / 110 / 140 / 200
SGS	042 / 060 / 090 / 115 / 142 / 180
SGR	042 / 060 / 090 / 115 / 142
ST	060 / 090 / 115 / 142
PG	042 / 060 / 090 / 115 / 142 / 180 / 220
PE	042 / 060 / 090 / 115 / 142 / 180
VG	078 / 098
HK	100 / 130

3rd digits 減速比 / Ratio

單段 1-STAGE	3~10
雙段 2-STAGE	15~100

4th digits 出力軸鍵槽 / Output Shaft Keyway

S1 標準品 (有鍵槽)	Standard(Keyway)
S2 實心軸 (無鍵槽)	Solid Output (No Keyway)

5th digits 背隙等級 / Backlash Class

SGL/SE/PG PE/VG/HK	標準背隙 Standard Backlash
SG/SD/SGS SGR/ST	PS 極精密背隙 Ultra high Precision Backlash P0 超精密背隙 High Precision Backlash P1 精密背隙 Precision Backlash P2 標準背隙 Standard Backlash

6th digits 馬達型號 / Motor Type

Motor Brand&Model No. 型號

減速機型號選定說明：

先以馬達額定輸出扭矩 * 減速比 * 減速機效率來獲得實際輸出扭矩，再依減速機各型號的額定輸出扭矩，來找尋適合的減速機型號。馬達端的實際輸出扭矩，建議小於減速機端的額定輸出扭矩，以獲得適當的安全係數。

例如：使用伺服馬達，功率750W，額定輸出扭矩2.39Nm，馬達軸心為 Ø19mm。

1. 假設減速比為1/50 時：

輸出扭矩為2.39Nm x 50 x 94%(效率) = 112.3Nm

*可選擇SG-90-50 (額定輸出扭矩165Nm)

S.F.(安全係數)=1.4

*亦可選擇SG-115-50 (額定輸出扭矩338Nm)

S.F.(安全係數)=3.0

2. 假設減速比為1/100 時：

輸出扭矩為2.39 x 100 x 94%(效率) = 224Nm

可選用SG-115-100 (額定輸出扭矩238Nm) S.F.=1.0

選用SG-90-100 (額定輸出扭矩1051Nm) 時 S.F.=0.4

安全係數不足，不建議使用。

How to selection the reducer: Please refer the example.

Example:

Servo motor 750 kW, rated output torque 2.39 Nm, motor shaft Ø19 mm.

1. Suppose the speed reduction ratio is 1/50:

Output torque is 2.39 Nm x 50 x 94% (efficiency) = 112.3 Nm.

*You can select SG-90-50 with rated output torque of

165 Nm and S.F. = 1.4

*You also can select SG-115-50 with rated output torque of

338 Nm and S.F. = 3.0

2. Suppose the speed reduction ratio is 1/100:

Output torque is 2.39 x 100 x 94% (efficiency) = 224 Nm.

You can select SG-115-100 and S.F. = 1.0

don't suggested to choose SG-90-100 because low of S.F. = 0.4

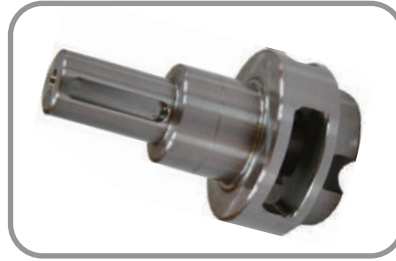


SG SERIES

產品特點 Product Features



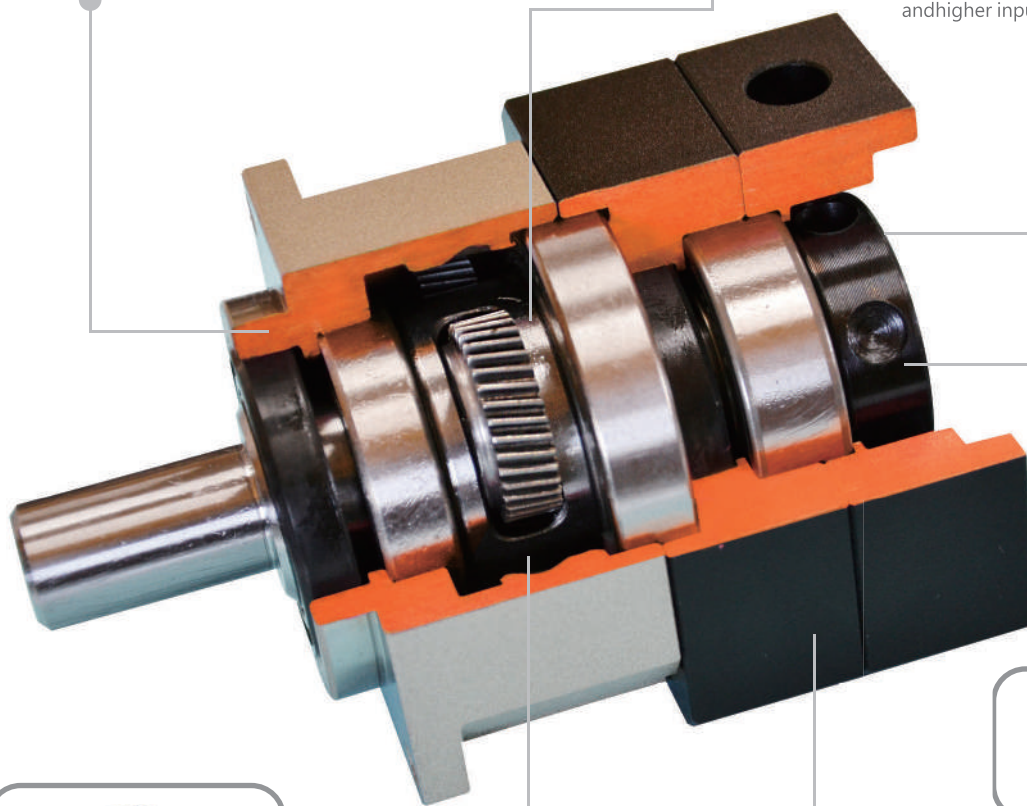
行星臂架與輸出軸採一體式的設計結構，確保最大耐扭力剛性及穩定性。
Integrated design of planet carrier and output shaft ensures the maximum torque stiffness and stability.



輸入端與馬達的連結機構，採用筒夾式的鎖緊經動平衡分析，以確保在高輸入轉速下結合介面同心度和零背隙的動力傳遞。
Triple split collet with dynamic balanced set collar clamping system provides backlash free power transmission and eliminates slippage. 100% concentricity allows for smooth rotation and higher input speed capability.



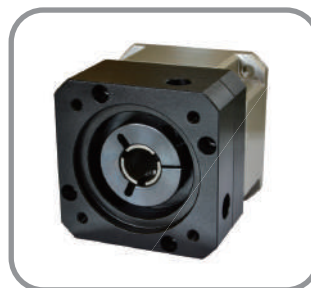
齒輪箱和內環齒輪採一體式設計，結構緊湊、精密度高、輸出扭矩大。
Gear box and internal ring gear are integrated designed, diameter maximized, high precision and high torque capacity are specialties.



齒輪材質選用鉻鉬釩合金鋼，經調質熱處理至基材硬度 HRC25 度，在利用氣體氮化方式將齒輪表面硬度提昇至 600HV，以獲得最佳的耐磨耗及耐衝擊韌性。
To gain the best abrasion performance and impact resistance · Chromium Molybdenum Vanadium Alloy steel is selected as raw material. Accompany with quenching and tempering heat treatment process · the core hardness is increased to 25 HRC. Accompany with plasma nitriding heat treatment process · the surface hardness is increased to 600 HV.



減速機構採螺旋齒輪設計，齒形嚙合率為一般正齒輪的二倍以上，具有運轉平順、低噪音高輸出扭矩和低背隙的特性。
Adopting helical gear design, the contact ratio of planetary reducer is twice higher than vertical one. Smooth running, high output torque and low backlash are distinguished features.



馬達連接板和襯套採模組化設計，適用於任何廠牌、型式的伺服馬達。
Motor adapter and bushing module are modularized designed · which applied to types of servomotors.

減速機性能資料 Reducer Performance Information

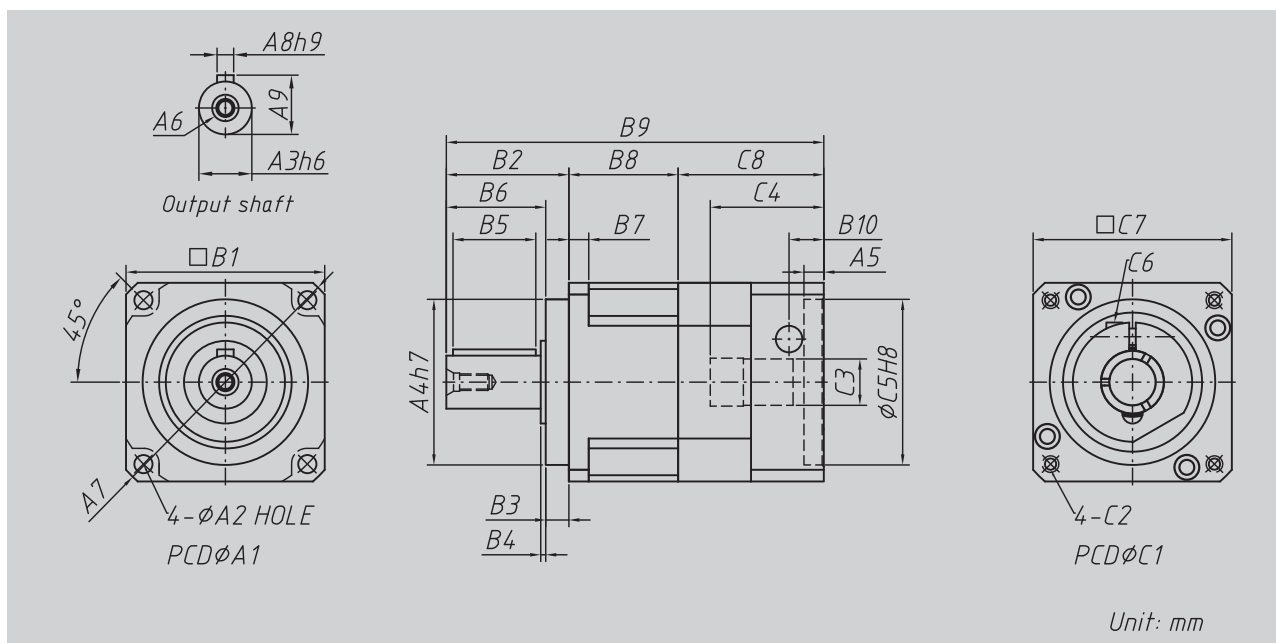
規格 Model NO.	單位 Unit	節數 Stage	減速比 Ratio	42	60	90	115	142	180
額定輸出力矩 T_{2N} Rated Output Torque	Nm	L1	3	21	57	135	216	352	603
			4	20	52	145	298	552	1065
			5	23	62	165	338	660	1215
			6	21	57	155	318	610	1115
			7	20	52	145	308	560	1115
			8	18	47	125	268	510	1015
			9	15	42	105	238	460	915
			10	15	42	105	238	460	915
			15	21	57	135	216	352	603
			20	20	52	145	298	552	1065
		25	23	62	165	338	660	1215	
		30	21	57	155	318	610	1115	
		35	20	52	145	308	560	1115	
		40	18	47	125	268	510	1015	
		50	23	62	165	338	660	1215	
		60	21	57	155	318	610	1115	
		70	20	52	145	308	560	1115	
		80	18	47	125	268	510	1015	
		90	15	42	105	238	460	915	
100	15	42	105	238	460	915			
最大輸入轉速 n_{1B} Max. Input Speed	rpm	L1/L2	3~100	10,000	10,000	8,000	8,000	6,000	6,000
額定輸入轉速 n_{1N} Rated Input Speed	rpm	L1/L2	3~100	5,000	5,000	4,000	4,000	3,000	3,000
超精密背隙 PS Backlash PS	arcmin	L1	3~10	≤ 1					
		L2	15~100	≤ 3					
精密背隙 P0 Backlash P0	arcmin	L1	3~10	≤ 3					
		L2	15~100	≤ 5					
精密背隙 P1 Backlash P1	arcmin	L1	3~10	≤ 5					
		L2	15~100	≤ 7					
最大加速扭矩 T_{2B} Max. Acceleration Torque	Nm	L1/L2	3~100	1.8倍額定輸出力矩 / 1.8 Times of nominal output torque					
最大輸出(急停)扭矩 T_{2NOT} Max. Output(Emergency Stop)Torque	Nm	L1/L2	3~100	3倍額定輸出力矩 / 3 Times of nominal output torque					
扭轉剛性 Torsional Rigidity	Nm/arcmin	L1/L2	3~100	3	7	14	25	50	145
容許徑向力 F_{2rB} Max. Radial Force	N	L1/L2	3~100	780	1,530	3,250	6,700	9,400	14,500
容許軸向力 F_{2aB} Max. Axial Force	N	L1/L2	3~100	390	765	1,625	3,350	4,700	7,250
使用壽命 Service Life	hr	L1/L2	3~100	S5週期運轉 > 20,000 ; (S1連續運轉 > 10,000 hrs) S5 Cycle Operation ; > 20,000 (S1 Continuous Operation ; > 10,000 hrs)					
使用溫度 Operation Temperature	°C	L1/L2	3~100	-25°C ~ 90°C					
效率 η Efficiency	%	L1	3~10	≤ 97					
		L2	15~100	≤ 94					
潤滑 Lubrication		L1/L2	3~100	合成潤滑油脂 / Synthetic Lubrication Grease					
噪音值 Noise Level	dB	L1	3~10	≤ 56	≤ 60	≤ 63	≤ 63	≤ 65	≤ 67
		L2	15~100	≤ 56	≤ 60	≤ 63	≤ 63	≤ 65	≤ 67
防護等級 Protection Class	IP	L1/L2	3~100	IP 65					
安裝方向 Mounting Position		L1/L2	3~100	任意方向 / Any direction					
重量 Weight	kg	L1	3~10	0.5	1.2	3.5	7.5	15.5	38
		L2	15~100	0.8	1.8	5.2	11.2	22.5	48

減速機轉動慣量 Reducer Moment of inertia

規格 Model NO.	單位 Unit	節數 Stage	減速比 Ratio	42	60	90	115	142	180
轉動慣量 J_1	kg.cm ²	L1	3	0.03	0.16	0.61	3.25	9.21	28.98
			4	0.03	0.14	0.48	2.74	7.54	23.67
			5	0.03	0.13	0.47	2.71	7.42	23.29
			6	0.03	0.13	0.45	2.65	7.25	22.75
			7	0.03	0.13	0.45	2.62	7.14	22.48
			8	0.03	0.13	0.44	2.58	7.07	22.59
			9	0.03	0.13	0.44	2.57	7.04	22.53
			10	0.03	0.13	0.44	2.57	7.03	22.51
			15	0.03	0.03	0.13	0.47	2.71	7.42
			20	0.03	0.03	0.13	0.47	2.71	7.42
		25	0.03	0.03	0.13	0.47	2.71	7.42	
		30	0.03	0.03	0.13	0.47	2.71	7.42	
		35	0.03	0.03	0.13	0.47	2.71	7.42	
		40	0.03	0.03	0.13	0.47	2.71	7.42	
		50	0.03	0.03	0.13	0.44	2.57	7.03	
		60	0.03	0.03	0.13	0.44	2.57	7.03	
		70	0.03	0.03	0.13	0.44	2.57	7.03	
		80	0.03	0.03	0.13	0.44	2.57	7.03	
		90	0.03	0.03	0.13	0.44	2.57	7.03	
		100	0.03	0.03	0.13	0.44	2.57	7.03	

MODEL : SG SERIES

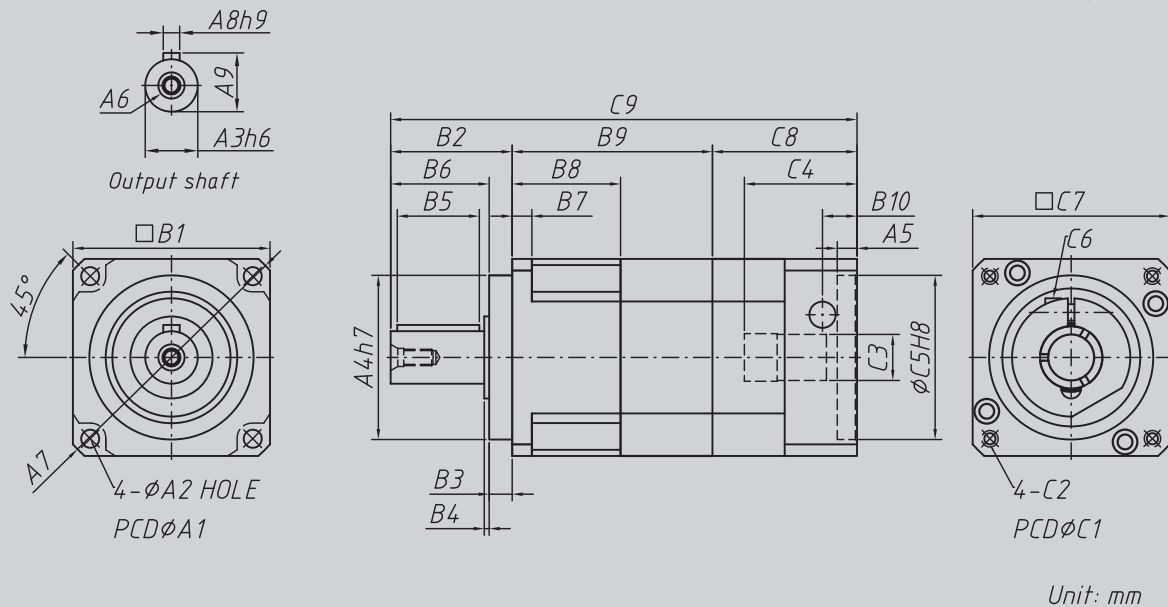
1-Stage (Ratio:3~10)



Model Code	42	60	90	115	142	180
A1	50	70	100	130	165	215
A2	3.5	5.5	6.5	8.5	10.5	13.5
A3	13	16	22	32	40	55
A4	35	50	80	110	130	160
A5	6	6	7.5	22.5	11	12
A6	M4 x P0.7	M5 x P0.8	M8 x P1.25	M12 x P1.75	M16 x P2.0	M20 x P2.5
A7	56	80	116	148	185	240
A8	5	5	6	10	12	16
A9	15	18	24.5	35	43	60
B1	42.6	60	90	115	142	180
B2	26	37	48	65	97	104.5
B3	5.5	7	10	12	15	20
B4	1.6	1.5	1.5	2	3	2.5
B5	15	25	30	40	63	70
B6	20.5	30	38	53	82	84.5
B7	4	6	8	10	12	16
B8	28.3	33	43	54	72	87.5
B9	88.65	114	138	190	251	292
B10	11	13.5	14	15	23	27.5
C1	46	70	90	145	165	200
C2	M4 x P0.7	M5 x P0.8	M6 x P1.0	M8 x P1.25	M10 x P1.5	M12 x P1.75
C3	8	14, 19	19, 24	24, 28	35, 42	42
C4	26	34	43	67.5	68	72.5
C5	30	50	70	110	130	114.3
C6	M3 x P0.5	M5 x P0.8	M6 x P1.0	M8 x P1.25	M10 x P1.5	M12 x P1.75
C7	42.6	60	90	130	142	180
C8	34.35	44	47	71	82	100

MODEL : SG SERIES

2-Stage (Ratio:15~100)



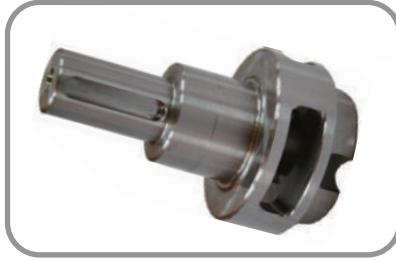
Model Code	42	60	90	115	142	180
A1	50	70	100	130	165	215
A2	3.5	5.5	6.5	8.5	10.5	13.5
A3	13	16	22	32	40	55
A4	35	50	80	110	130	160
A5	6	6	7.5	22.5	11	12
A6	M4 x P0.7	M5 x P0.8	M8 x P1.25	M12 x P1.75	M16 x P2.0	M20 x P2.5
A7	56	80	116	148	185	240
A8	5	5	6	10	12	16
A9	15	18	24.5	35	43	60
B1	42.6	60	90	115	142	180
B2	26	37	48	65	97	104.5
B3	5.5	7	10	12	15	20
B4	1.6	1.5	1.5	2	3	2.5
B5	15	25	30	40	63	70
B6	20.5	30	38	53	82	84.5
B7	4	6	8	10	12	16
B8	28.3	33	43	54	72	87.5
B9	54.3	61	83	102	123	177.5
B10	11	13.5	14	15	23	27.5
C1	46	70	90	145	165	200
C2	M4 x P0.7	M5 x P0.8	M6 x P1.0	M8 x P1.25	M10 x P1.5	M12 x P1.75
C3	8	14, 19	19, 24	24, 28	35, 42	42
C4	26	34	43	67.5	68	72.5
C5	30	50	70	110	130	114.3
C6	M3 x P0.5	M5 x P0.8	M6 x P1.0	M8 x P1.25	M10 x P1.5	M12 x P1.75
C7	42.6	60	90	130	142	180
C8	34.35	44	47	71	82	100
C9	114.65	142	178	238	312	382

SGL SERIES

產品特點 Product Features



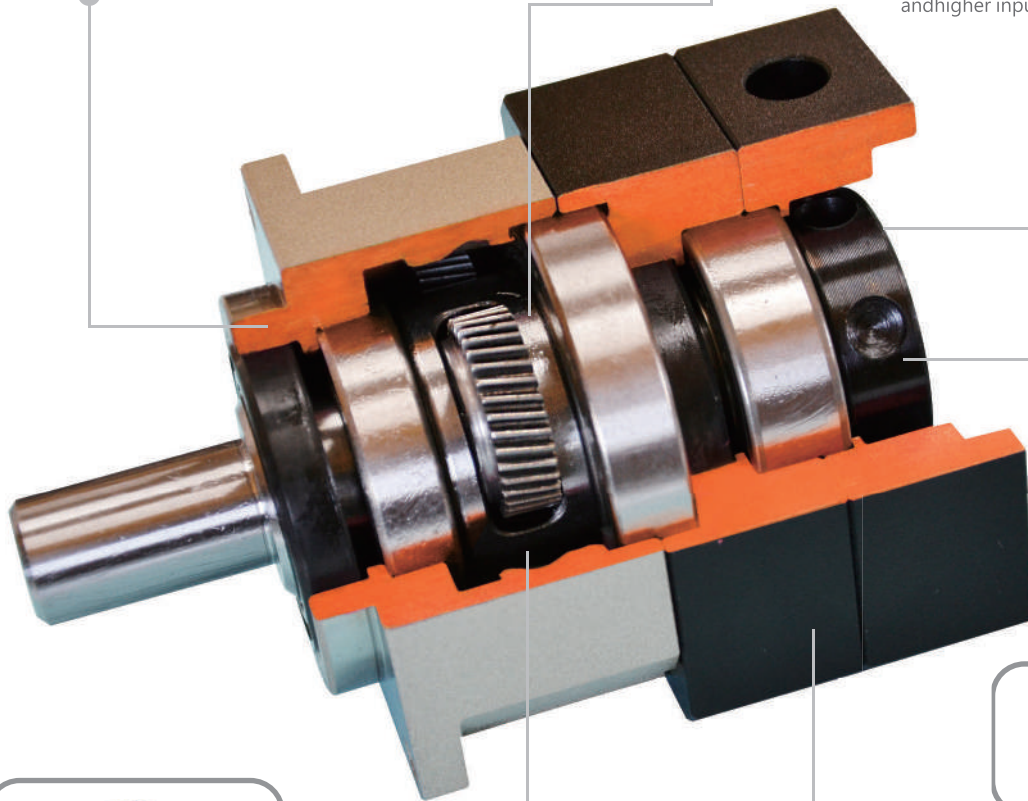
齒輪箱和內環齒輪採一體式設計，結構緊湊、精密度高、輸出扭矩大。
Gear box and internal ring gear are integrated designed, diameter maximized, high precision and high torque capacity are specialties.



行星臂架與輸出軸採一體式的設計結構，確保最大耐扭力剛性及穩定性。
Integrated design of planet carrier and output shaft ensures the maximum torque stiffness and stability.



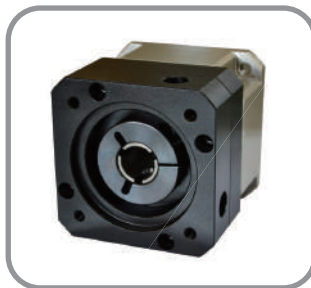
輸入端與馬達的連結機構，採用筒夾式的鎖緊經動平衡分析，以確保在高輸入轉速下結合介面同心度和零背隙的動力傳遞。
Triple split collet with dynamic balanced set collar clamping system provides backlash free power transmission and eliminates slippage. 100% concentricity allows for smooth rotation and higher input speed capability.



齒輪材質選用鉻鉬釩合金鋼，經調質熱處理至基材硬度 HRC25 度，在利用氣體氮化方式將齒輪表面硬度提昇至 600HV，以獲得最佳的耐磨耗及耐衝擊韌性。
To gain the best abrasion performance and impact resistance · Chromium Molybdenum Vanadium Alloy steel is selected as raw material. Accompany with quenching and tempering heat treatment process · the core hardness is increased to 25 HRC. Accompany with plasma nitriding heat treatment process · the surface hardness is increased to 600 HV.



減速機構採螺旋齒輪設計，齒形嚙合率為一般正齒輪的二倍以上，具有運轉平順、低噪音高輸出扭矩和低背隙的特性。
Adopting helical gear design, the contact ratio of planetary reducer is twice higher than vertical one. Smooth running, high output torque and low backlash are distinguished features.



馬達連接板和襯套採模組化設計，適用於任何廠牌、型式的伺服馬達。
Motor adapter and bushing module are modularized designed · which applied to types of servomotors.

減速機性能資料 Reducer Performance Information

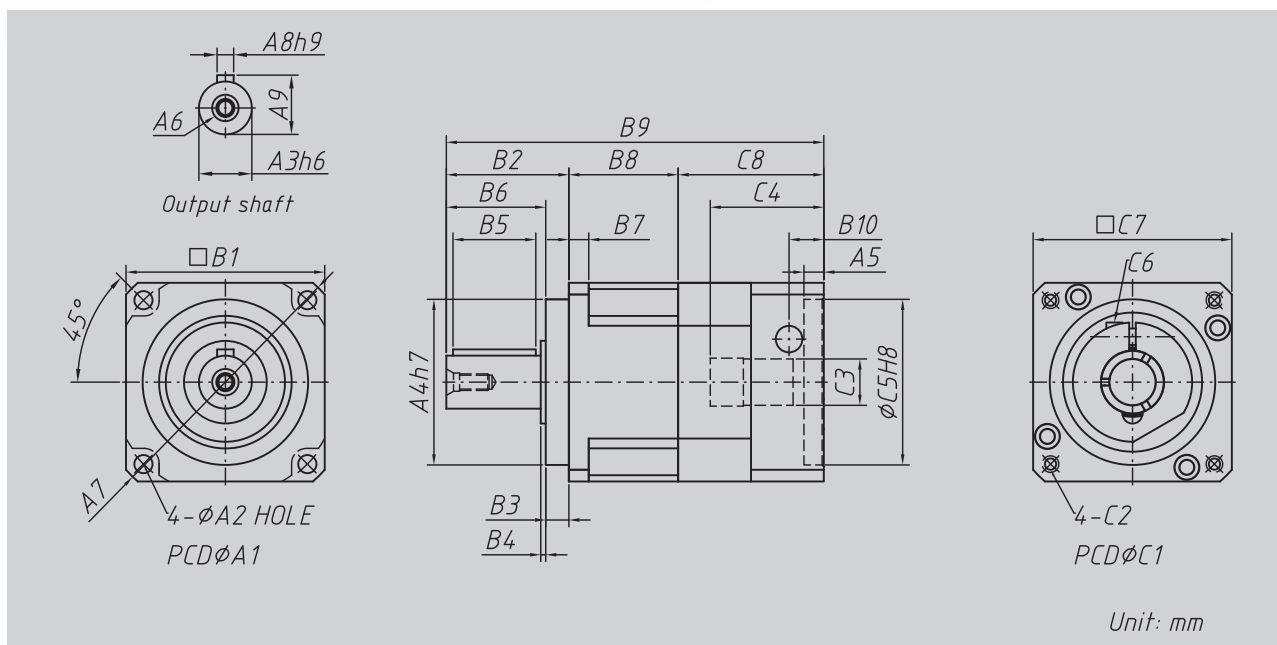
規格 Model NO.	單位 Unit	節數 Stage	減速比 Ratio	42	60	90	115	142	180
額定輸出力矩 T_{2N} Rated Output Torque	Nm	L1	3	21	57	135	216	352	603
			4	20	52	145	298	552	1065
			5	23	62	165	338	660	1215
			6	21	57	155	318	610	1115
			7	20	52	145	308	560	1115
			8	18	47	125	268	510	1015
			9	15	42	105	238	460	915
			10	15	42	105	238	460	915
			15	21	57	135	216	352	603
			20	20	52	145	298	552	1065
		L2	25	23	62	165	338	660	1215
			30	21	57	155	318	610	1115
			35	20	52	145	308	560	1115
			40	18	47	125	268	510	1015
			50	23	62	165	338	660	1215
			60	21	57	155	318	610	1115
			70	20	52	145	308	560	1115
			80	18	47	125	268	510	1015
			90	15	42	105	238	460	915
100	15		42	105	238	460	915		
最大輸入轉速 n_{1B} Max. Input Speed	rpm	L1/L2	3~100	10,000	10,000	8,000	8,000	6,000	6,000
額定輸入轉速 n_{1N} Rated Input Speed	rpm	L1/L2	3~100	5,000	5,000	4,000	4,000	3,000	3,000
標準背隙 Backlash	arcmin	L1	3~10	≤ 8					
		L2	15~100	≤ 12					
最大加速扭矩 T_{2B} Max. Acceleration Torque	Nm	L1/L2	3~100	1.8倍額定輸出力矩 / 1.8 Times of nominal output torque					
最大輸出(急停)扭矩 T_{2NOT} Max. Output(Emergency Stop) Torque	Nm	L1/L2	3~100	3倍額定輸出力矩 / 3 Times of nominal output torque					
扭轉剛性 Torsional Rigidity	Nm/arcmin	L1/L2	3~100	3	7	14	25	50	145
容許徑向力 F_{2rB} Max. Radial Force	N	L1/L2	3~100	780	1,530	3,250	6,700	9,400	14,500
容許軸向力 F_{2aB} Max. Axial Force	N	L1/L2	3~100	390	765	1,625	3,350	4,700	7,250
使用壽命 Service Life	hr	L1/L2	3~100	S5週期運轉 > 20,000 ; (S1連續運轉 > 10,000 hrs) S5 Cycle Operation ; > 20,000 (S1 Continuous Operation ; > 10,000 hrs)					
使用溫度 Operation Temperature	°C	L1/L2	3~100	-25°C ~ 90°C					
效率 η Efficiency	%	L1	3~10	≤ 97					
		L2	15~100	≤ 94					
潤滑 Lubrication		L1/L2	3~100	合成潤滑油脂 / Synthetic Lubrication Grease					
噪音值 Noise Level	dB	L1	3~10	≤ 56	≤ 60	≤ 63	≤ 63	≤ 65	≤ 67
		L2	15~100	≤ 56	≤ 60	≤ 63	≤ 63	≤ 65	≤ 67
防護等級 Protection Class	IP	L1/L2	3~100	IP 65					
安裝方向 Mounting Position		L1/L2	3~100	任意方向 / Any direction					
重量 Weight	kg	L1	3~10	0.5	1.2	3.5	7.5	15.5	38
		L2	15~100	0.8	1.8	5.2	11.2	22.5	48

減速機轉動慣量 Reducer Moment of inertia

規格 Model NO.	單位 Unit	節數 Stage	減速比 Ratio	42	60	90	115	142	180
轉動慣量 J_1	kg.cm ²	L1	3	0.03	0.16	0.61	3.25	9.21	28.98
			4	0.03	0.14	0.48	2.74	7.54	23.67
			5	0.03	0.13	0.47	2.71	7.42	23.29
			6	0.03	0.13	0.45	2.65	7.25	22.75
			7	0.03	0.13	0.45	2.62	7.14	22.48
			8	0.03	0.13	0.44	2.58	7.07	22.59
			9	0.03	0.13	0.44	2.57	7.04	22.53
			10	0.03	0.13	0.44	2.57	7.03	22.51
			15	0.03	0.13	0.47	2.71	7.42	23.29
			20	0.03	0.13	0.47	2.71	7.42	23.29
		L2	25	0.03	0.13	0.47	2.71	7.42	23.29
			30	0.03	0.13	0.47	2.71	7.42	23.29
			35	0.03	0.13	0.47	2.71	7.42	23.29
			40	0.03	0.13	0.47	2.71	7.42	23.29
			50	0.03	0.13	0.44	2.57	7.03	22.51
			60	0.03	0.13	0.44	2.57	7.03	22.51
			70	0.03	0.13	0.44	2.57	7.03	22.51
			80	0.03	0.13	0.44	2.57	7.03	22.51
			90	0.03	0.13	0.44	2.57	7.03	22.51
100	0.03		0.13	0.44	2.57	7.03	22.51		

MODEL : SGL SERIES

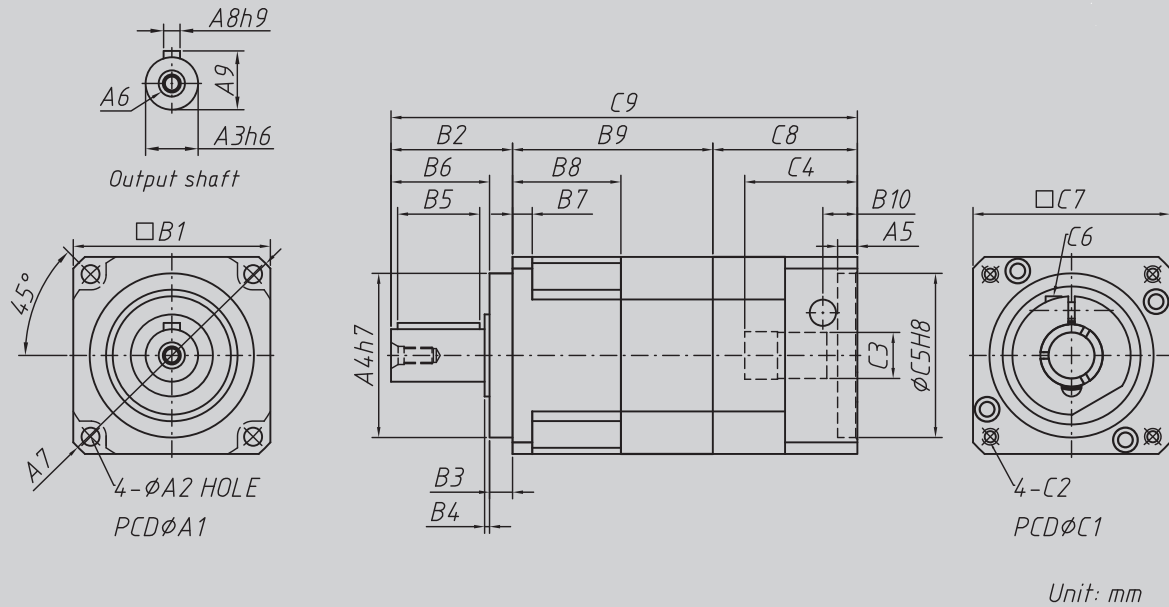
1-Stage (Ratio:3~10)



Model Code	42	60	90	115	142	180
A1	50	70	100	130	165	215
A2	3.5	5.5	6.5	8.5	10.5	13.5
A3	13	16	22	32	40	55
A4	35	50	80	110	130	160
A5	6	6	7.5	22.5	11	12
A6	M4 x P0.7	M5 x P0.8	M8 x P1.25	M12 x P1.75	M16 x P2.0	M20 x P2.5
A7	56	80	116	148	185	240
A8	5	5	6	10	12	16
A9	15	18	24.5	35	43	60
B1	42.6	60	90	115	142	180
B2	26	37	48	65	97	104.5
B3	5.5	7	10	12	15	20
B4	1.6	1.5	1.5	2	3	2.5
B5	15	25	30	40	63	70
B6	20.5	30	38	53	82	84.5
B7	4	6	8	10	12	16
B8	28.3	33	43	54	72	87.5
B9	88.65	114	138	190	251	292
B10	11	13.5	14	15	23	27.5
C1	46	70	90	145	165	200
C2	M4 x P0.7	M5 x P0.8	M6 x P1.0	M8 x P1.25	M10 x P1.5	M12 x P1.75
C3	8	14, 19	19, 24	24, 28	35, 42	42
C4	26	34	43	67.5	68	72.5
C5	30	50	70	110	130	114.3
C6	M3 x P0.5	M5 x P0.8	M6 x P1.0	M8 x P1.25	M10 x P1.5	M12 x P1.75
C7	42.6	60	90	130	142	180
C8	34.35	44	47	71	82	100

MODEL : SGL SERIES

2-Stage (Ratio:15~100)



Model Code	42	60	90	115	142	180
A1	50	70	100	130	165	215
A2	3.5	5.5	6.5	8.5	10.5	13.5
A3	13	16	22	32	40	55
A4	35	50	80	110	130	160
A5	6	6	7.5	22.5	11	12
A6	M4 x P0.7	M5 x P0.8	M8 x P1.25	M12 x P1.75	M16 x P2.0	M20 x P2.5
A7	56	80	116	148	185	240
A8	5	5	6	10	12	16
A9	15	18	24.5	35	43	60
B1	42.6	60	90	115	142	180
B2	26	37	48	65	97	104.5
B3	5.5	7	10	12	15	20
B4	1.6	1.5	1.5	2	3	2.5
B5	15	25	30	40	63	70
B6	20.5	30	38	53	82	84.5
B7	4	6	8	10	12	16
B8	28.3	33	43	54	72	87.5
B9	54.3	61	83	102	123	177.5
B10	11	13.5	14	15	23	27.5
C1	46	70	90	145	165	200
C2	M4 x P0.7	M5 x P0.8	M6 x P1.0	M8 x P1.25	M10 x P1.5	M12 x P1.75
C3	8	14, 19	19, 24	24, 28	35, 42	42
C4	26	34	43	67.5	68	72.5
C5	30	50	70	110	130	114.3
C6	M3 x P0.5	M5 x P0.8	M6 x P1.0	M8 x P1.25	M10 x P1.5	M12 x P1.75
C7	42.6	60	90	130	142	180
C8	34.35	44	47	71	82	100
C9	114.65	142	178	238	312	382

SE series

high precision

planetary reducer



減速機性能資料 Reducer Performance Information

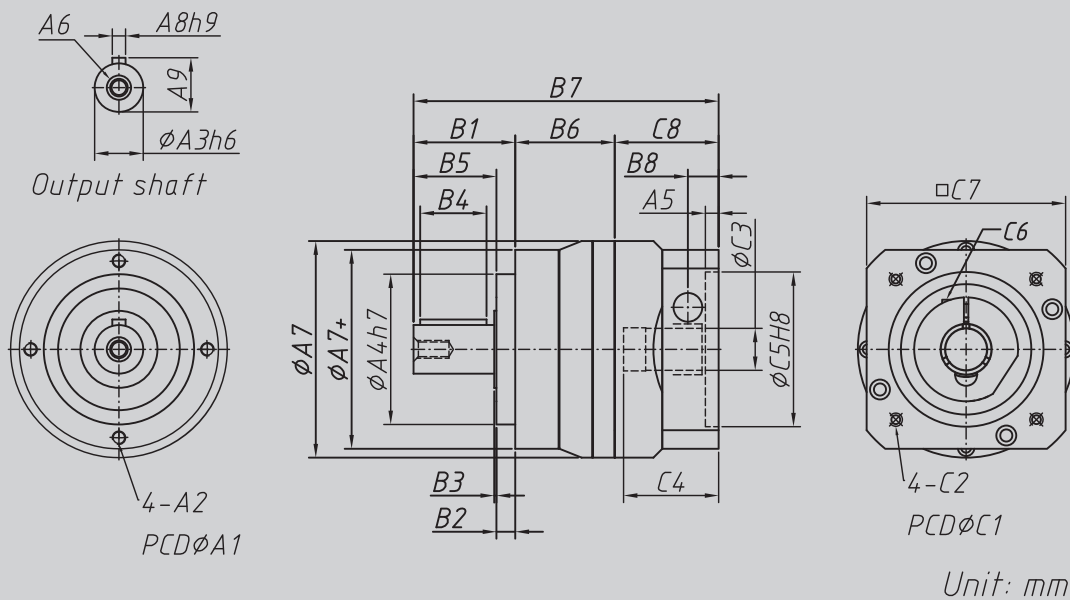
規格 Model NO.	單位 Unit	節數 Stage	減速比 Ratio	42	60	90	115	142	180
額定輸出力矩 T_{2N} Rated Output Torque	Nm	L1	3	21	57	135	216	352	603
			4	20	52	145	298	552	1065
			5	23	62	165	338	660	1215
			6	21	57	155	318	610	1115
			7	20	52	145	308	560	1115
			8	18	47	125	268	510	1015
			9	15	42	105	238	460	915
			10	15	42	105	238	460	915
			15	21	57	135	216	352	603
			20	20	52	145	298	552	1065
		L2	25	23	62	165	338	660	1215
			30	21	57	155	318	610	1115
			35	20	52	145	308	560	1115
			40	18	47	125	268	510	1015
			50	23	62	165	338	660	1215
			60	21	57	155	318	610	1115
			70	20	52	145	308	560	1115
			80	18	47	125	268	510	1015
			90	15	42	105	238	460	915
100	15		42	105	238	460	915		
最大輸入轉速 n_{1B} Max. Input Speed	rpm	L1/L2	3~100	10,000	10,000	8,000	8,000	6,000	6,000
額定輸入轉速 n_{1N} Rated Input Speed	rpm	L1/L2	3~100	5,000	5,000	4,000	4,000	3,000	3,000
標準背隙 Backlash	arcmin	L1	3~10	≤ 8					
		L2	15~100	≤ 12					
最大加速扭矩 T_{2B} Max. Acceleration Torque	Nm	L1/L2	3~100	1.8倍額定輸出力矩 / 1.8 Times of nominal output torque					
最大輸出(急停)扭矩 T_{2NOT} Max. Output(Emergency Stop) Torque	Nm	L1/L2	3~100	3倍額定輸出力矩 / 3 Times of nominal output torque					
扭轉剛性 Torsional Rigidity	Nm/arcmin	L1/L2	3~100	3	7	14	25	50	145
容許徑向力 F_{2rB} Max. Radial Force	N	L1/L2	3~100	780	1,530	3,250	6,700	9,400	14,500
容許軸向力 F_{2aB} Max. Axial Force	N	L1/L2	3~100	390	765	1,625	3,350	4,700	7,250
使用壽命 Service Life	hr	L1/L2	3~100	S5週期運轉 > 20,000 ; (S1連續運轉 > 10,000 hrs) S5 Cycle Operation ; > 20,000 (S1 Continuous Operation ; > 10,000 hrs)					
使用溫度 Operation Temperature	°C	L1/L2	3~100	-25°C ~ 90°C					
效率 η Efficiency	%	L1	3~10	≤ 97					
		L2	15~100	≤ 94					
潤滑 Lubrication		L1/L2	3~100	合成潤滑油脂 / Synthetic Lubrication Grease					
噪音值 Noise Level	dB	L1	3~10	≤ 56	≤ 60	≤ 63	≤ 63	≤ 65	≤ 67
		L2	15~100	≤ 56	≤ 60	≤ 63	≤ 63	≤ 65	≤ 67
防護等級 Protection Class	IP	L1/L2	3~100	IP 65					
安裝方向 Mounting Position		L1/L2	3~100	任意方向 / Any direction					
重量 Weight	kg	L1	3~10	0.6	1.4	3.3	6.9	13	31
		L2	15~100	0.9	1.6	4.7	8.7	17	35

減速機轉動慣量 Reducer Moment of inertia

規格 Model NO.	單位 Unit	節數 Stage	減速比 Ratio	42	60	90	115	142	180
轉動慣量 J_1	kg.cm ²	L1	3	0.03	0.16	0.61	3.25	9.21	28.98
			4	0.03	0.14	0.48	2.74	7.54	23.67
			5	0.03	0.13	0.47	2.71	7.42	23.29
			6	0.03	0.13	0.45	2.65	7.25	22.75
			7	0.03	0.13	0.45	2.62	7.14	22.48
			8	0.03	0.13	0.44	2.58	7.07	22.59
			9	0.03	0.13	0.44	2.57	7.04	22.53
			10	0.03	0.13	0.44	2.57	7.03	22.51
			15	0.03	0.03	0.13	0.47	2.71	7.42
			20	0.03	0.03	0.13	0.47	2.71	7.42
		L2	25	0.03	0.03	0.13	0.47	2.71	7.42
			30	0.03	0.03	0.13	0.47	2.71	7.42
			35	0.03	0.03	0.13	0.47	2.71	7.42
			40	0.03	0.03	0.13	0.47	2.71	7.42
			50	0.03	0.03	0.13	0.44	2.57	7.03
			60	0.03	0.03	0.13	0.44	2.57	7.03
			70	0.03	0.03	0.13	0.44	2.57	7.03
			80	0.03	0.03	0.13	0.44	2.57	7.03
			90	0.03	0.03	0.13	0.44	2.57	7.03
			100	0.03	0.03	0.13	0.44	2.57	7.03

MODEL : SE SERIES

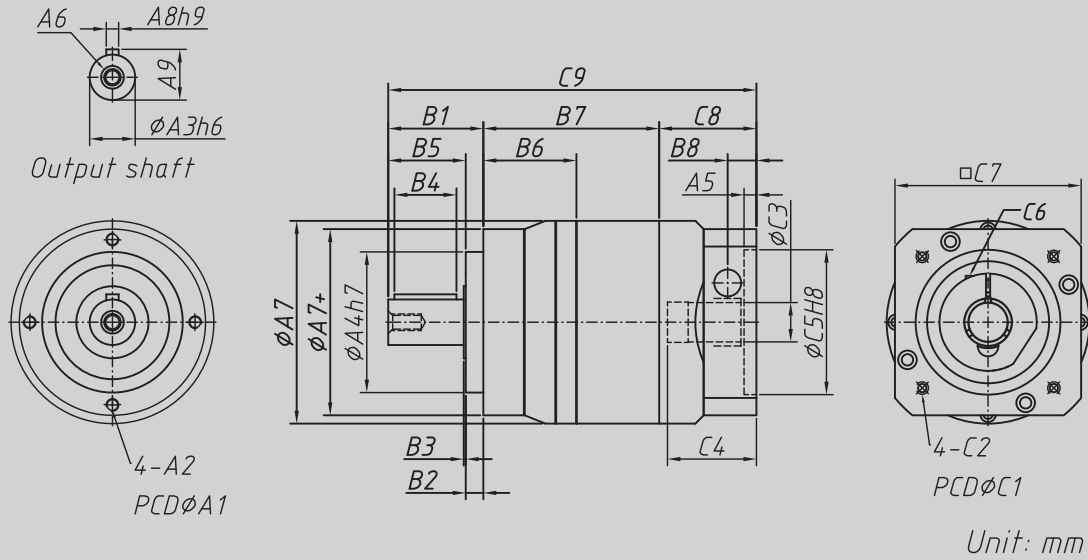
1-Stage (Ratio:3~10)



Model Code	42	60	90	115	142	180
A1	44	62	80	108	140	184
A2	M4 X P0.7	M5 x P0.8	M6 x P1.0	M6 x P1.0	M10 x P1.25	M12 x P1.75
A3	13	16	22	32	40	55
A4	35	52	68	90	120	160
A5	6	6	7.5	22.5	11	12
A6	M4 x P0.7	M5 x P0.8	M8 x P1.25	M12 x P1.75	M16 x P2.0	M20 x P2.5
A7	59	70	98	125	156	212
A7+	50	70	90	120	156	205
A8	5	5	6	10	12	16
A9	15	18	24.5	35	43	59
B1	24.5	36.5	46	70	97	99.5
B2	4	6.5	8.5	17	15	15
B3	1.6	1.5	1	2	3	2.5
B4	15	25	30	40	63	70
B5	20.5	30	37.5	53	82	84.5
B6	28.3	33.5	45	49	72	87.5
B7	114.8	114	138	190	251	283
B8	11	10.5	14	30	23	27.5
C1	46	70	90	145	165	200
C2	M4 x P0.7	M5 x P0.8	M6 x P1.0	M8 x P1.25	M10 x P1.5	M12 x P1.75
C3	8	14, 19	19, 24	24, 28	35, 42	42
C4	26	34.1	43	67.5	68.1	72.5
C5	30	50	70	110	130	114.3
C6	M3 x P0.5	M5 x P0.8	M6 x P1.0	M8 x P1.25	M10 x P1.5	M12 x P1.75
C7	42.6	60	90	130	142	180
C8	34.5	44	47	71	82	91

MODEL : SE SERIES

2-Stage (Ratio:15~100)



Model Code	42	60	90	115	142	180
A1	44	62	80	108	140	184
A2	M4 X P0.7	M5 x P0.8	M6 x P1.0	M6 x P1.0	M10 x P1.25	M12 x P1.75
A3	13	16	22	32	40	55
A4	35	52	68	90	120	160
A5	6	6	7.5	22.5	11	12
A6	M4 x P0.7	M5 x P0.8	M8 x P1.25	M12 x P1.75	M16 x P2.0	M20 x P2.5
A7	59	70	98	125	156	212
A7+	50	70	90	120	156	205
A8	5	5	6	10	12	16
A9	15	18	24.5	35	43	59
B1	24.5	36.5	46	70	97	99.5
B2	4	6.5	8.5	17	15	15
B3	1.6	1.5	1	2	3	2.5
B4	15	25	30	40	63	70
B5	20.5	30	37.5	53	82	84.5
B6	28.3	33.5	45	49	72	87.5
B7	54.3	61.5	85	97	133	177.5
B8	11	10.5	14	30	23	27.5
C1	46	70	90	145	165	200
C2	M4 x P0.7	M5 x P0.8	M6 x P1.0	M8 x P1.25	M10 x P1.5	M12 x P1.75
C3	8	14, 19	19, 24	24, 28	35, 42	42
C4	26	34.1	43	67.5	68.1	72.5
C5	30	50	70	110	130	114.3
C6	M3 x P0.5	M5 x P0.8	M6 x P1.0	M8 x P1.25	M10 x P1.5	M12 x P1.75
C7	42.6	60	90	130	142	180
C8	34.5	44	47	71	82	91
C9	114.8	142	178	238	312	373

SD series

high precision

planetary reducer



減速機性能資料 Reducer Performance Information

SG

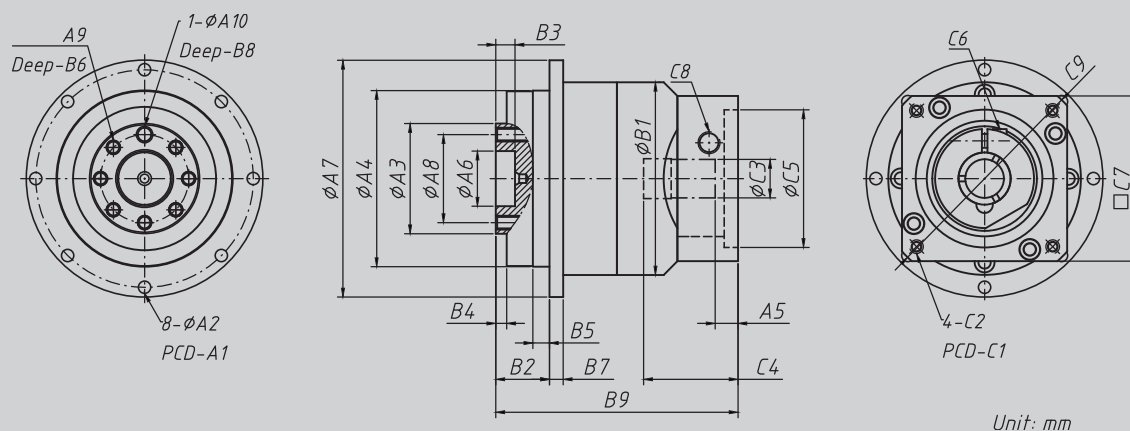
規格 Model NO.	單位 Unit	節數 Stage	減速比 Ratio	47	64	90	110	140	200
額定輸出力矩 T_{2N} Rated Output Torque	Nm	L1	4	20	50	135	278	570	1115
			5	23	62	165	338	660	1215
			7	20	52	145	308	560	1115
			10	15	42	105	238	460	915
		L2	20	20	50	135	278	570	1115
			25	23	62	165	338	660	1215
			35	20	52	145	308	560	1115
			40	20	50	135	278	570	1115
			50	23	62	165	338	660	1215
			70	20	52	145	308	560	1115
100	15	42	105	238	460	915			
最大輸入轉速 n_{1B} Max. Input Speed	rpm	L1/L2	4~100	10,000	10,000	8,000	8,000	6,000	6,000
額定輸入轉速 n_{1N} Rated Input Speed	rpm	L1/L2	4~100	5,000	5,000	4,000	4,000	3,000	3,000
超精密背隙 PS Backlash PS	arcmin	L1	4~10	≤ 1					
		L2	20~100	≤ 3					
精密背隙 P0 Backlash P0	arcmin	L1	4~10	≤ 3					
		L2	20~100	≤ 5					
精密背隙 P1 Backlash P1	arcmin	L1	4~10	≤ 5					
		L2	20~100	≤ 7					
最大加速扭矩 T_{2B} Max. Acceleration Torque	Nm	L1/L2	4~100	1.8倍額定輸出力矩 / 1.8 Times of nominal output torque					
最大輸出(急停)扭矩 T_{2NOT} Max. Output(Emergency Stop) Torque	Nm	L1/L2	4~100	3倍額定輸出力矩 / 3 Times of nominal output torque					
扭轉剛性 Torsional Rigidity	Nm/arcmin	L1/L2	4~100	7	13	31	82	151	440
最大彎曲力矩 M_{2KB} Max. Bending moment	Nm	L1/L2	4~100	43	125	235	430	1,300	3,064
容許軸向力 F_{2aB} Max. Axial Force	N	L1/L2	4~100	990	1,050	2,850	2,990	10,590	16,660
使用壽命 Service Life	hr	L1/L2	4~100	S5週期運轉 > 20,000 ; (S1連續運轉 > 10,000 hrs) S5 Cycle Operation ; > 20,000 (S1 Continuous Operation ; > 10,000 hrs)					
使用溫度 Operation Temperature	°C	L1/L2	4~100	-25°C ~ 90°C					
效率 η Efficiency	%	L1	4~10	≤ 97					
		L2	20~100	≤ 94					
潤滑 Lubrication		L1/L2	4~100	合成潤滑油脂 / Synthetic Lubrication Grease					
噪音值 Noise Level	dB	L1	4~10	≤ 56	≤ 58	≤ 60	≤ 63	≤ 65	≤ 67
		L2	20~100	≤ 56	≤ 58	≤ 60	≤ 63	≤ 65	≤ 67
防護等級 Protection Class	IP	L1/L2	4~100	IP 65					
安裝方向 Mounting Position		L1/L2	4~100	任意方向 / Any direction					
重量 Weight	kg	L1	4~10	0.7	1.4	4.2	7.4	13.9	32.4
		L2	20~100	1	1.9	4.8	9.4	16.7	40.2

減速機轉動慣量 Reducer Moment of inertia

規格 Model NO.	單位 Unit	節數 Stage	減速比 Ratio	47	64	90	110	140	200
轉動慣量 J_1	kg.cm ²	L1	4	0.03	0.14	0.51	2.87	7.54	25.03
			5	0.03	0.13	0.47	2.71	7.42	23.29
			7	0.03	0.13	0.45	2.62	7.14	22.48
			10	0.03	0.13	0.44	2.57	7.03	22.51
		L2	20	0.03	0.03	0.13	0.47	2.71	7.42
			25	0.03	0.03	0.13	0.47	2.71	7.42
			35	0.03	0.03	0.13	0.47	2.71	7.42
			40	0.03	0.03	0.13	0.44	2.57	7.03
			50	0.03	0.03	0.13	0.44	2.57	7.03
			70	0.03	0.03	0.13	0.44	2.57	7.03
100	0.03	0.03	0.13	0.44	2.57	7.03			

MODEL : SD SERIES

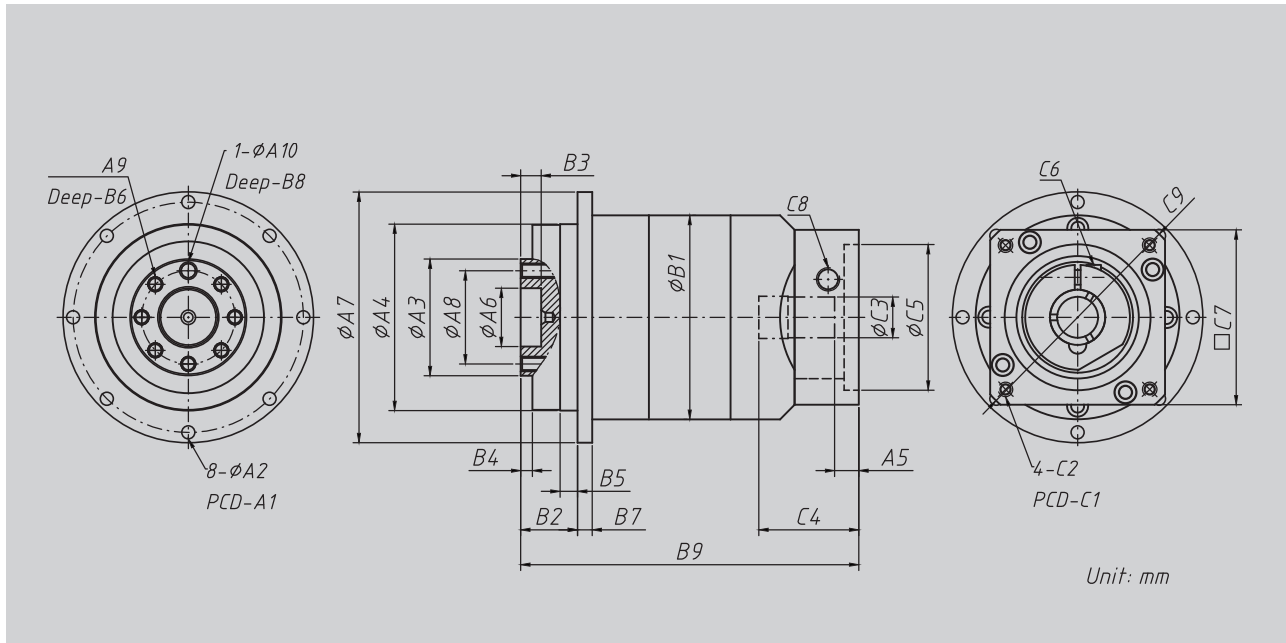
1-Stage (Ratio:3~10)



Model Code	47	64	90	110	140	200
A1	67	79	109	135	168	233
A2	3.4	4.5	5.5	5.5	6.6	12-9.0
A3	28	40	63	80	100	160
A4	47	64	90	110	140	200
A5	6	6	7.5	22.5	11	12
A6	12	20	31.5	40	50	80
A7	72	86	118	146	179	248
A8	20	31.5	50	63	80	125
A9	4-M3 x P0.5	7-M5 x P0.8	7-M6x P1.0	11-M6 x P1.0	11-M8 x P1.25	11-M10 x P1.5
A10	3	5	6	6	8	10
B1	59	70	98	125	156	212
B2	19.5	19.5	30	29	44	50
B3	5	7	12	12	12	16
B4	3	4	6	6	6	8
B5	5	6	10	10	15	15
B6	6.5	13	18	18	24	24
B7	4	5	7	8	10	12
B8	4	7	8	10	10	10
B9	71.3	88	106	149	175	228.5
C1	46	70	90	145	165	200
C2	M4 x P0.7	M5 x P0.8	M6 x P1.0	M8 x P1.25	M10 x P1.5	M12 x P1.75
C3	8	14, 19	19, 24	24, 28	35, 42	42
C4	26	34	43	67.5	68	72.5
C5	30	50	70	110	130	114.3
C6	M3 x P0.5	M5 x P0.8	M6 x P1.0	M8 x P1.25	M10 x P1.5	M12 x P1.75
C7	42.6	60	90	130	142	180
C8	M8 x P1.25	M8 x P1.25	M12 x P1.75	M16 x P2.0	M16 x P2.0	M16 x P2.0
C9	Ø 56	Ø 80	Ø 116	Ø 160	Ø 189	Ø 240

MODEL : SD SERIES

2-Stage (Ratio:20~100)



Model Code	47	64	90	110	140	200
A1	67	79	109	135	168	233
A2	3.4	4.5	5.5	5.5	6.6	12-9.0
A3	28	40	63	80	100	160
A4	47	64	90	110	140	200
A5	6	6	7.5	22.5	11	12
A6	12	20	31.5	40	50	80
A7	72	86	118	146	179	248
A8	20	31.5	50	63	80	125
A9	4-M3 x P0.5	7-M5 x P0.8	7-M6 x P1.0	11-M6 x P1.0	11-M8 x P1.25	11-M10 x P1.5
A10	3	5	6	6	8	10
B1	59	70	98	125	156	212
B2	19.5	19.5	30	29	44	50
B3	5	7	12	12	12	16
B4	3	4	6	6	6	8
B5	5	6	10	10	15	15
B6	6.5	13	18	18	24	24
B7	4	5	7	8	10	12
B8	4	7	8	10	10	10
B9	97.3	116	146	197	236	318.5
C1	46	70	90	145	165	200
C2	M4 x P0.7	M5 x P0.8	M6 x P1.0	M8 x P1.25	M10 x P1.5	M12 x P1.75
C3	8	14, 19	19, 24	24, 28	35, 42	42
C4	26	34	43	67.5	68	72.5
C5	30	50	70	110	130	114.3
C6	M3 x P0.5	M5 x P0.8	M6 x P1.0	M8 x P1.25	M10 x P1.5	M12 x P1.75
C7	42.6	60	90	130	142	180
C8	M8 x P1.25	M8 x P1.25	M12 x P1.75	M16 x P2.0	M16 x P2.0	M16 x P2.0
C9	Ø 56	Ø 80	Ø 116	Ø 160	Ø 189	Ø 240

SGS series

high precision

planetary reducer



減速機性能資料 Reducer Performance Information

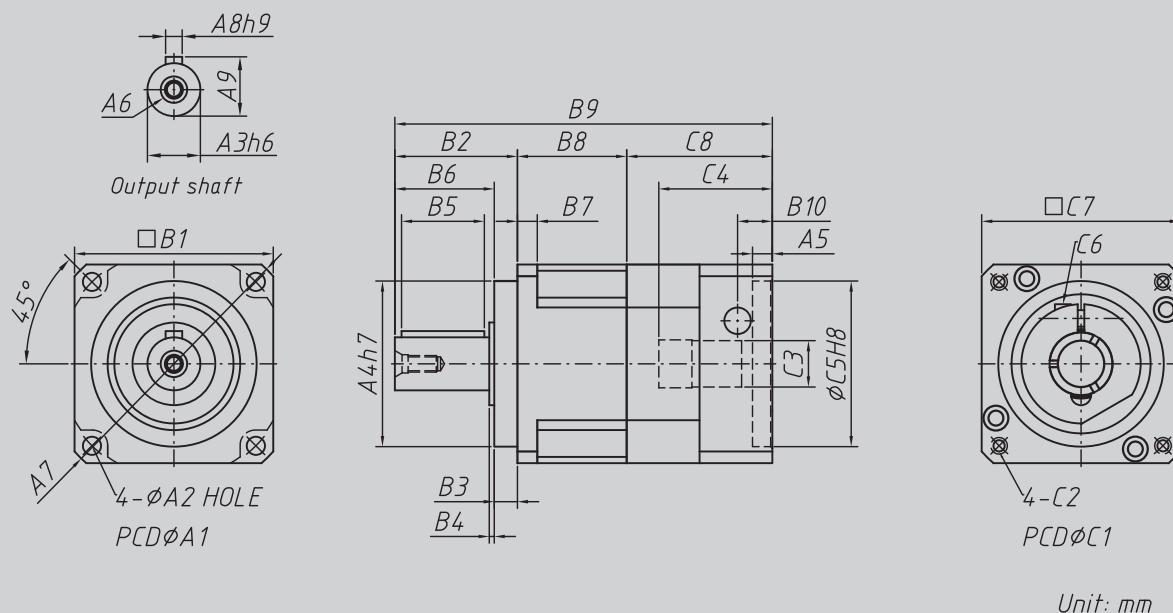
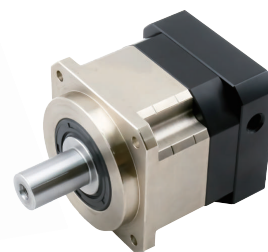
規格 Model NO.	單位 Unit	節數 Stage	減速比 Ratio	42	60	90	115	142	180	
額定輸出力矩 T_{2N} Rated Output Torque	Nm	L1	3	21	57	135	216	352	603	
			4	20	52	145	298	552	1065	
			5	23	62	165	338	660	1215	
			6	21	57	155	318	610	1115	
			7	20	52	145	308	560	1115	
			8	18	47	125	268	510	1015	
			9	15	42	105	238	460	915	
			10	15	42	105	238	460	915	
			L2	15	21	57	135	216	352	603
				20	20	52	145	298	552	1065
		25		23	62	165	338	660	1215	
		30		21	57	155	318	610	1115	
		35		20	52	145	308	560	1115	
		40		18	47	125	268	510	1015	
		50		23	62	165	338	660	1215	
		60		21	57	155	318	610	1115	
		70		20	52	145	308	560	1115	
		80	18	47	125	268	510	1015		
		90	15	42	105	238	460	915		
100	15	42	105	238	460	915				
最大輸入轉速 n_{1B} Max. Input Speed	rpm	L1/L2	3~100	10,000	10,000	8,000	8,000	6,000	6,000	
額定輸入轉速 n_{1N} Rated Input Speed	rpm	L1/L2	3~100	5,000	5,000	4,000	4,000	3,000	3,000	
超精密背隙 PS Backlash PS	arcmin	L1	3~10							≤ 1
		L2	15~100							≤ 3
精密背隙 P0 Backlash P0	arcmin	L1	3~10							≤ 3
		L2	15~100							≤ 5
精密背隙 P1 Backlash P1	arcmin	L1	3~10							≤ 5
		L2	15~100							≤ 7
最大加速扭矩 T_{2B} Max. Acceleration Torque	Nm	L1/L2	3~100	1.8倍額定輸出力矩 / 1.8 Times of nominal output torque						
最大輸出(急停)扭矩 T_{2NOT} Max. Output(Emergency Stop) Torque	Nm	L1/L2	3~100	3倍額定輸出力矩 / 3 Times of nominal output torque						
扭轉剛性 Torsional Rigidity	Nm/arcmin	L1/L2	3~100	3	7	14	25	50	145	
容許徑向力 F_{2rB} Max. Radial Force	N	L1/L2	3~100	610	1,400	4,100	9,200	14,000	18,000	
容許軸向力 F_{2aB} Max. Axial Force	N	L1/L2	3~100	320	1,100	3,700	5,820	11,400	19,500	
使用壽命 Service Life	hr	L1/L2	3~100	S5週期運轉 > 20,000 ; (S1連續運轉 > 10,000 hrs) S5 Cycle Operation ; > 20,000 (S1 Continuous Operation ; > 10,000 hrs)						
使用溫度 Operation Temperature	°C	L1/L2	3~100	-25°C ~ 90°C						
效率 η Efficiency	%	L1	3~10	≤ 97						
		L2	15~100	≤ 94						
潤滑 Lubrication		L1/L2	3~100	合成潤滑油脂 / Synthetic Lubrication Grease						
噪音值 Noise Level	dB	L1	3~10	≤ 56	≤ 60	≤ 63	≤ 63	≤ 65	≤ 67	
		L2	15~100	≤ 56	≤ 60	≤ 63	≤ 63	≤ 65	≤ 67	
防護等級 Protection Class	IP	L1/L2	3~100	IP 65						
安裝方向 Mounting Position		L1/L2	3~100	任意方向 / Any direction						
重量 Weight	kg	L1	3~10	0.5	1.2	3.5	7.5	15.5	38	
		L2	15~100	0.8	1.8	5.2	11.2	22.5	48	

減速機轉動慣量 Reducer Moment of inertia

規格 Model NO.	單位 Unit	節數 Stage	減速比 Ratio	42	60	90	115	142	180	
轉動慣量 J_1	kg.cm ²	L1	3	0.03	0.16	0.61	3.25	9.21	28.98	
			4	0.03	0.14	0.48	2.74	7.54	23.67	
			5	0.03	0.13	0.47	2.71	7.42	23.29	
			6	0.03	0.13	0.45	2.65	7.25	22.75	
			7	0.03	0.13	0.45	2.62	7.14	22.48	
			8	0.03	0.13	0.44	2.58	7.07	22.59	
			9	0.03	0.13	0.44	2.57	7.04	22.53	
			10	0.03	0.13	0.44	2.57	7.03	22.51	
			L2	15	0.03	0.03	0.13	0.47	2.71	7.42
				20	0.03	0.03	0.13	0.47	2.71	7.42
		25		0.03	0.03	0.13	0.47	2.71	7.42	
		30		0.03	0.03	0.13	0.47	2.71	7.42	
		35		0.03	0.03	0.13	0.47	2.71	7.42	
		40		0.03	0.03	0.13	0.47	2.71	7.42	
		50		0.03	0.03	0.13	0.44	2.57	7.03	
		60		0.03	0.03	0.13	0.44	2.57	7.03	
		70		0.03	0.03	0.13	0.44	2.57	7.03	
		80	0.03	0.03	0.13	0.44	2.57	7.03		
		90	0.03	0.03	0.13	0.44	2.57	7.03		
100	0.03	0.03	0.13	0.44	2.57	7.03				

MODEL : SGS SERIES

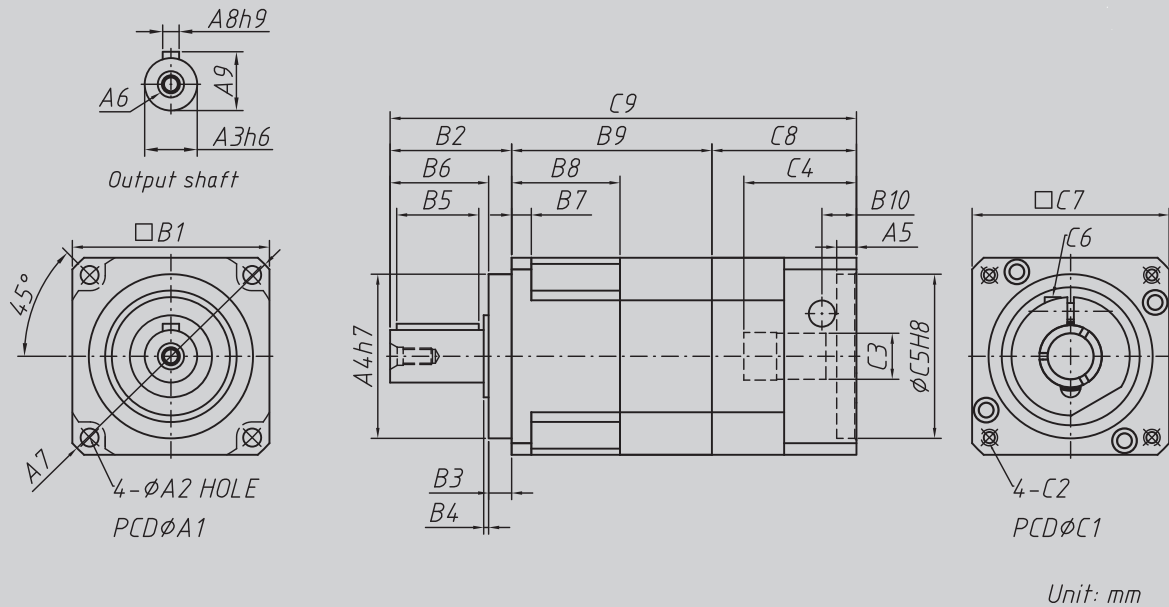
1-Stage (Ratio:3~10)



Model Code	42	60	90	115	142	180
A1	50	70	100	130	165	215
A2	3.5	5.5	6.5	8.5	10.5	13.5
A3	13	16	22	32	40	55
A4	35	50	80	110	130	160
A5	6	6	7.5	22.5	11	12
A6	M4 x P0.7	M5 x P0.8	M8 x P1.25	M12 x P1.75	M16 x P2.0	M20 x P2.5
A7	56	80	116	148	185	240
A8	5	5	6	10	12	16
A9	15	18	24.5	35	43	60
B1	42.6	60	90	115	142	180
B2	26	37	48	65	97	104.5
B3	5.5	7	10	12	15	20
B4	1.6	1.5	1.5	2	3	2.5
B5	15	25	30	40	63	70
B6	20.5	30	38	53	82	84.5
B7	4	6	8	10	12	16
B8	28.3	33	43	54	72	87.5
B9	88.65	114	138	190	251	292
B10	11	13.5	14	15	23	27.5
C1	46	70	90	145	165	200
C2	M4 x P0.7	M5 x P0.8	M6 x P1.0	M8 x P1.25	M10 x P1.5	M12 x P1.75
C3	8	14, 19	19, 24	24, 28	35, 42	42
C4	26	34	43	67.5	68	72.5
C5	30	50	70	110	130	114.3
C6	M3 x P0.5	M5 x P0.8	M6 x P1.0	M8 x P1.25	M10 x P1.5	M12 x P1.75
C7	42.6	60	90	130	142	180
C8	34.35	44	47	71	82	100

MODEL : SGS SERIES

2-Stage (Ratio:15~100)



Model Code	42	60	90	115	142	180
A1	50	70	100	130	165	215
A2	3.5	5.5	6.5	8.5	10.5	13.5
A3	13	16	22	32	40	55
A4	35	50	80	110	130	160
A5	6	6	7.5	22.5	11	12
A6	M4 x P0.7	M5 x P0.8	M8 x P1.25	M12 x P1.75	M16 x P2.0	M20 x P2.5
A7	56	80	116	148	185	240
A8	5	5	6	10	12	16
A9	15	18	24.5	35	43	60
B1	42.6	60	90	115	142	180
B2	26	37	48	65	97	104.5
B3	5.5	7	10	12	15	20
B4	1.6	1.5	1.5	2	3	2.5
B5	15	25	30	40	63	70
B6	20.5	30	38	53	82	84.5
B7	4	6	8	10	12	16
B8	28.3	33	43	54	72	87.5
B9	54.3	61	83	102	123	177.5
B10	11	13.5	14	15	23	27.5
C1	46	70	90	145	165	200
C2	M4 x P0.7	M5 x P0.8	M6 x P1.0	M8 x P1.25	M10 x P1.5	M12 x P1.75
C3	8	14, 19	19, 24	24, 28	35, 42	42
C4	26	34	43	67.5	68	72.5
C5	30	50	70	110	130	114.3
C6	M3 x P0.5	M5 x P0.8	M6 x P1.0	M8 x P1.25	M10 x P1.5	M12 x P1.75
C7	42.6	60	90	130	142	180
C8	34.35	44	47	71	82	100
C9	114.65	142	178	238	312	382

SGR series

high precision

planetary reducer



減速機性能資料 Reducer Performance Information

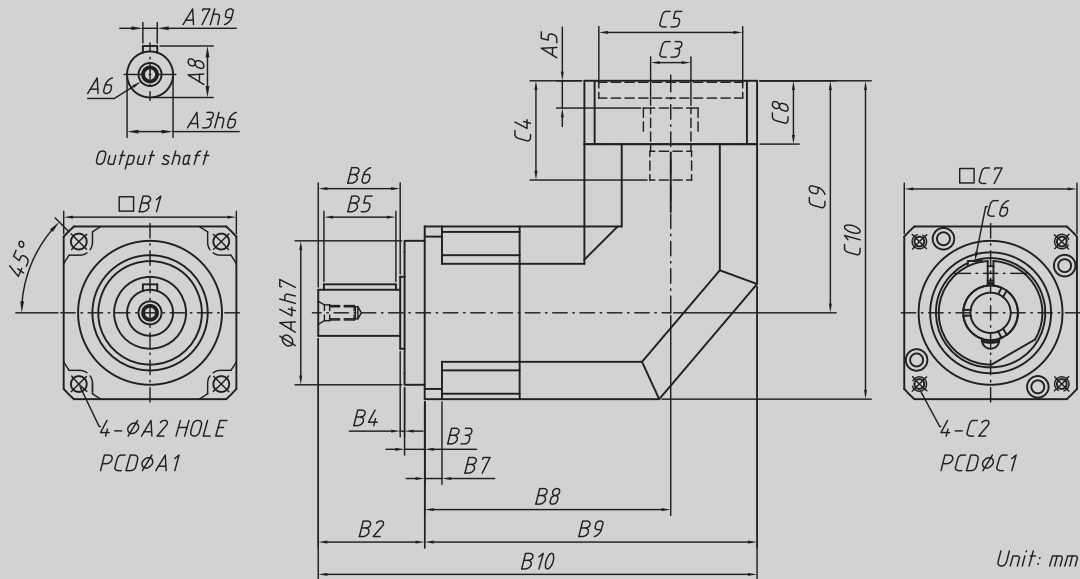
規格 Model NO.	單位 Unit	節數 Stage	減速比 Ratio	42	60	90	115	142
額定輸出力矩 T_{2N} Rated Output Torque	Nm	L1	3	10	38	95	203	352
			4	13	50	125	268	530
			5	16	62	155	333	660
			6	19	57	155	318	610
			7	20	52	145	308	560
			8	18	47	125	268	510
			9	15	42	105	238	460
			10	15	62	155	333	660
			14	15	44	145	308	560
			20	15	42	105	238	460
		L2	25	16	62	155	333	660
			30	21	57	155	318	610
			35	20	52	145	308	560
			40	18	47	125	268	510
			50	15	62	105	238	660
			60	21	57	155	318	610
			70	20	52	145	308	560
			80	18	47	125	268	510
			90	15	42	105	238	460
			100	15	42	105	238	460
最大輸入轉速 n_{1B} Max. Input Speed	rpm	L1/L2	3~100	10,000	10,000	8,000	8,000	6,000
額定輸入轉速 n_{1N} Rated Input Speed	rpm	L1/L2	3~100	5,000	5,000	4,000	4,000	3,000
超精密背隙 PS Backlash PS	arcmin	L1	3~20	≤ 2				
		L2	25~100	≤ 4				
精密背隙 P0 Backlash P0	arcmin	L1	3~20	≤ 4				
		L2	25~100	≤ 7				
精密背隙 P1 Backlash P1	arcmin	L1	3~20	≤ 6				
		L2	25~100	≤ 9				
最大加速扭矩 T_{2B} Max. Acceleration Torque	Nm	L1/L2	3~100	1.8倍額定輸出力矩 / 1.8 Times of nominal output torque				
最大輸出(急停)扭矩 T_{2NOT} Max. Output(Emergency Stop)Torque	Nm	L1/L2	3~100	3倍額定輸出力矩 / 3 Times of nominal output torque				
扭轉剛性 Torsional Rigidity	Nm/arcmin	L1/L2	3~100	3	7	14	25	50
容許徑向力 F_{2rB} Max. Radial Force	N	L1/L2	3~100	780	1,530	3,250	6,700	9,400
容許軸向力 F_{2aB} Max. Axial Force	N	L1/L2	3~100	390	765	1,625	3,350	4,700
使用壽命 Service Life	hr	L1/L2	3~100	S5週期運轉 > 20,000 ; (S1連續運轉 > 10,000 hrs) S5 Cycle Operation ; > 20,000 (S1 Continuous Operation ; > 10,000 hrs)				
使用溫度 Operation Temperature	°C	L1/L2	3~100	-25°C ~ 90°C				
效率 η Efficiency	%	L1	3~20	≤ 95				
		L2	25~100	≤ 92				
潤滑 Lubrication		L1/L2	3~100	合成潤滑油脂 / Synthetic Lubrication Grease				
噪音值 Noise Level	dB	L1	3~20	≤ 61	≤ 63	≤ 65	≤ 68	≤ 70
		L2	25~100	≤ 61	≤ 63	≤ 65	≤ 68	≤ 70
防護等級 Protection Class	IP	L1/L2	3~100	IP 65				
安裝方向 Mounting Position		L1/L2	3~100	任意方向 / Any direction				
重量 Weight	kg	L1	3~20	1	2.3	6.6	13.2	24.5
		L2	25~100	1.2	3	8.2	14.2	27.5

減速機轉動慣量 Reducer Moment of inertia

規格 Model NO.	單位 Unit	節數 Stage	減速比 Ratio	42	60	90	115	142
轉動慣量 J_1	kg.cm ²	L1	3	0.09	0.35	2.25	6.84	23.4
			4	0.09	0.35	2.25	6.84	23.4
			5	0.09	0.35	2.25	6.84	23.4
			6	0.09	0.35	2.25	6.84	23.4
			7	0.09	0.35	2.25	6.84	23.4
			8	0.09	0.35	2.25	6.84	23.4
			9	0.09	0.35	2.25	6.84	23.4
			10	0.09	0.35	2.25	6.84	23.4
			14	0.09	0.07	1.87	6.25	21.8
			20	0.09	0.07	1.87	6.25	21.8
		L2	25	0.09	0.09	0.35	2.25	6.84
			30	0.09	0.09	0.35	2.25	6.84
			35	0.09	0.09	0.35	2.25	6.84
			40	0.09	0.09	0.35	2.25	6.84
			50	0.09	0.09	0.35	2.25	6.84
			60	0.09	0.09	0.35	2.25	6.84
			70	0.09	0.09	0.35	2.25	6.84
			80	0.09	0.09	0.35	2.25	6.84
			90	0.09	0.09	0.35	2.25	6.84
			100	0.09	0.09	0.35	2.25	6.84

MODEL : SGR SERIES

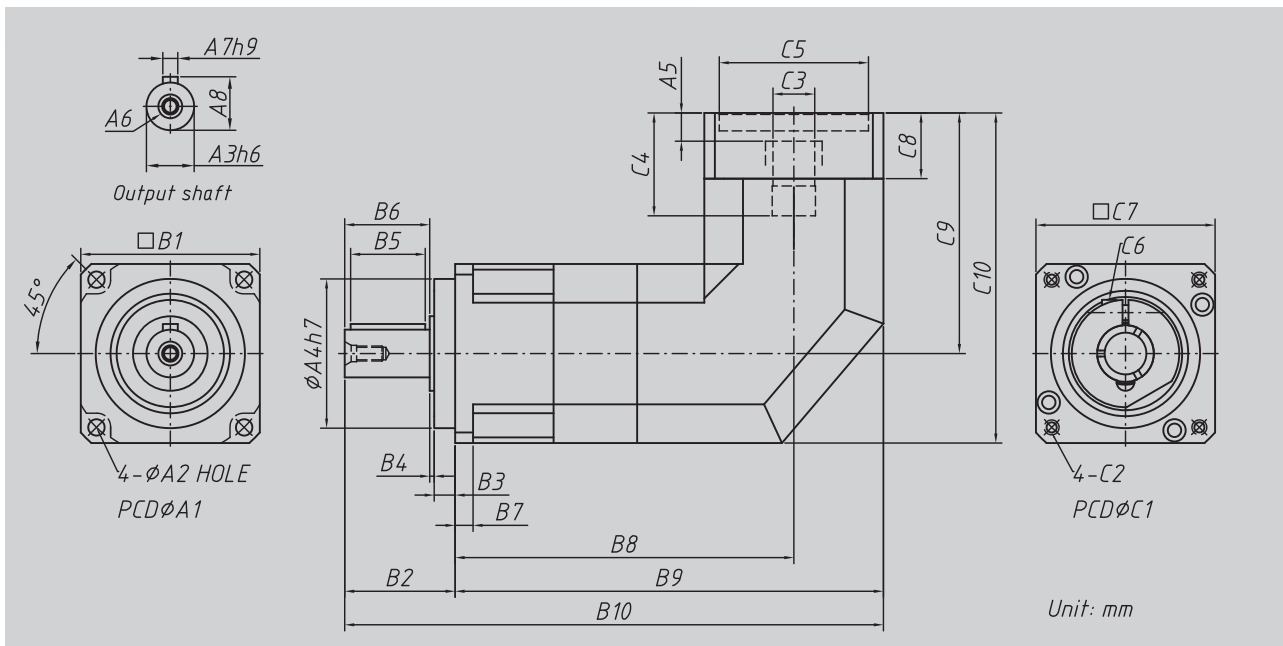
1-Stage (Ratio:3~10)



Code	Model	42	60	90	115	142
A1		50	70	100	130	165
A2		3.5	5.5	6.5	8.5	10.5
A3		13	16	22	32	40
A4		35	50	80	110	130
A5		6.14	6.47	7.5	19.1	11
A6		M4 x P0.7	M5 x P0.8	M8 x P1.25	M12 x P1.75	M16 x P2.0
A7		5	5	6	10	12
A8		15	18	24.5	35	43
B1		42.6	60	90	115	142
B2		26	37	48	65	97
B3		5.5	7	10	12	15
B4		1.6	1.5	1.5	2	3
B5		15	25	30	40	63
B6		18.9	28.5	36.5	51	79
B7		4	6	8	10	12
B8		76	85.5	122.1	140	178
B9		97.3	115.5	167.1	197.5	249
B10		123.3	152.5	215.1	262.5	346
C1		46	70	90	145	165
C2		M4 x P0.7	M5 x P0.8	M6 x P1.0	M8 x P1.25	M10 x P1.5
C3		8				
C4		26	34	53	78	74
C5		30	50	70	110	130
C6		M3 x P0.5	M5 x P0.8	M6 x P1.0	M8 x P1.25	M10 x P1.5
C7		42.6	60	90	130	142
C8		20	22	25.5	45	35
C9		61	80.6	106.35	144.2	151
C10		82.3	110.6	151.35	201.7	222

MODEL : SGR SERIES

2-Stage (Ratio:15~100)



Code Model	42	60	90	115	142
A1	50	70	100	130	165
A2	3.5	5.5	6.5	8.5	10.5
A3	13	16	22	32	40
A4	35	50	80	110	130
A5	6	6	7.5	19	11
A6	M4 x P0.7	M5 x P0.8	M8 x P1.25	M12 x P1.75	M16 x P2.0
A7	5	5	6	10	12
A8	15	18	24.5	35	43
B1	42.6	60	90	115	142
B2	26	37	48	65	97
B3	5.5	7	10	12	15
B4	1.6	1.5	1.5	2	3
B5	15	25	30	40	63
B6	18.9	28.5	36.5	51	79
B7	4	6	8	10	12
B8	102	113.5	162.1	188	239
B9	123.3	143.5	207.1	245.5	310
B10	149.3	180.5	255.1	310.5	407
C1	46	70	90	145	165
C2	M4 x P0.7	M5 x P0.8	M6 x P1.0	M8 x P1.25	M10 x P1.5
C3	8	14	19	24	35
C4	26	34	53	78	74
C5	30	50	70	110	130
C6	M3 x P0.5	M5 x P0.8	M6 x P1.0	M8 x P1.25	M10 x P1.5
C7	42.6	60	90	130	142
C8	20	22	25.5	45	35
C9	61	80.6	106.35	144.2	151
C10	82.3	110.6	151.35	201.7	222

ST series

high precision

planetary reducer



減速機性能資料 Reducer Performance Information

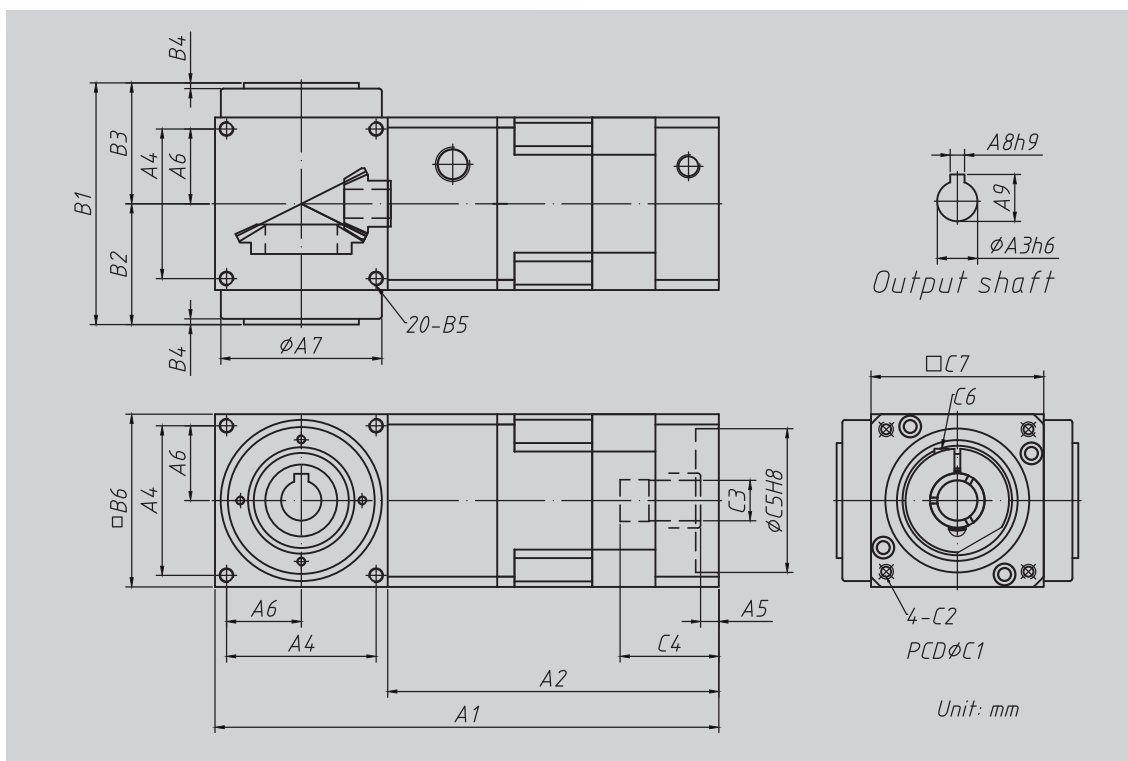
規格 Model NO.	單位 Unit	節數 Stage	減速比 Ratio	60	90	115	142
額定輸出力矩 T_{2N} Rated Output Torque	Nm	L1	3	25	78	150	360
			4	25	78	150	360
			5	25	78	150	360
			10	24	68	150	330
			20	24	68	150	330
		L2	15	25	78	150	360
			25	25	78	150	360
			30	24	68	150	330
			40	24	68	150	330
			50	25	78	150	360
最大輸入轉速 n_{1B} Max. Input Speed	rpm	L1/L2	3~50	6,000	6,000	6,000	6,000
額定輸入轉速 n_{1N} Rated Input Speed	rpm	L1/L2	3~50	3,000	3,000	3,000	3,000
超精密背隙 P0 Backlash P0	arcmin	L1	3~20	≤ 4			
		L2	15~50	≤ 6			
精密背隙 P1 Backlash P1	arcmin	L1	3~20	≤ 7			
		L2	15~50	≤ 9			
精密背隙 P2 Backlash P2	arcmin	L1	3~20	≤ 10			
		L2	15~50	≤ 12			
最大加速扭矩 T_{2B} Max. Acceleration Torque	Nm	L1/L2	3~50	1.5倍額定輸出力矩 / 1.5 Times of nominal output torque			
最大輸出(急停)扭矩 T_{2NOT} Max. Output(Emergency Stop) Torque	Nm	L1/L2	3~50	3倍額定輸出力矩 / 3 Times of nominal output torque			
容許徑向力 F_{2rB} Max. Radial Force	N	L1/L2	3~50	600	1,000	2,000	3,000
容許軸向力 F_{2aB} Max. Axial Force	N	L1/L2	3~50	300	500	1,000	1,500
使用壽命 Service Life	hr	L1/L2	3~50	S5週期運轉 > 20,000 ; (S1連續運轉 > 10,000 hrs) S5 Cycle Operation ; > 20,000 (S1 Continuous Operation ; > 10,000 hrs)			
使用溫度 Operation Temperature	°C	L1/L2	3~50	-25°C ~ 90°C			
效率 η Efficiency	%	L1	3~20	≤ 94			
		L2	15~50	≤ 90			
潤滑 Lubrication		L1/L2	3~50	合成潤滑油脂 / Synthetic Lubrication Grease			
噪音值 Noise Level	dB	L1	3~20	≤ 68	≤ 73	≤ 74	≤ 75
		L2	15~50	≤ 71	≤ 76	≤ 77	≤ 78

減速機轉動慣量 Reducer Moment of inertia

規格 Model NO.	單位 Unit	節數 Stage	減速比 Ratio	60	90	115	142
轉動慣量 J_1	kg.cm ²	L1	3	0.05	0.18	0.41	0.56
			4	0.05	0.18	0.41	0.56
			5	0.05	0.18	0.41	0.56
			10	0.05	0.18	0.41	0.56
			20	0.05	0.18	0.41	0.56
		L2	15	0.05	0.18	0.41	0.56
			25	0.05	0.18	0.41	0.56
			30	0.05	0.16	0.38	0.53
			40	0.05	0.16	0.38	0.53
			50	0.05	0.16	0.38	0.53

MODEL : ST SERIES

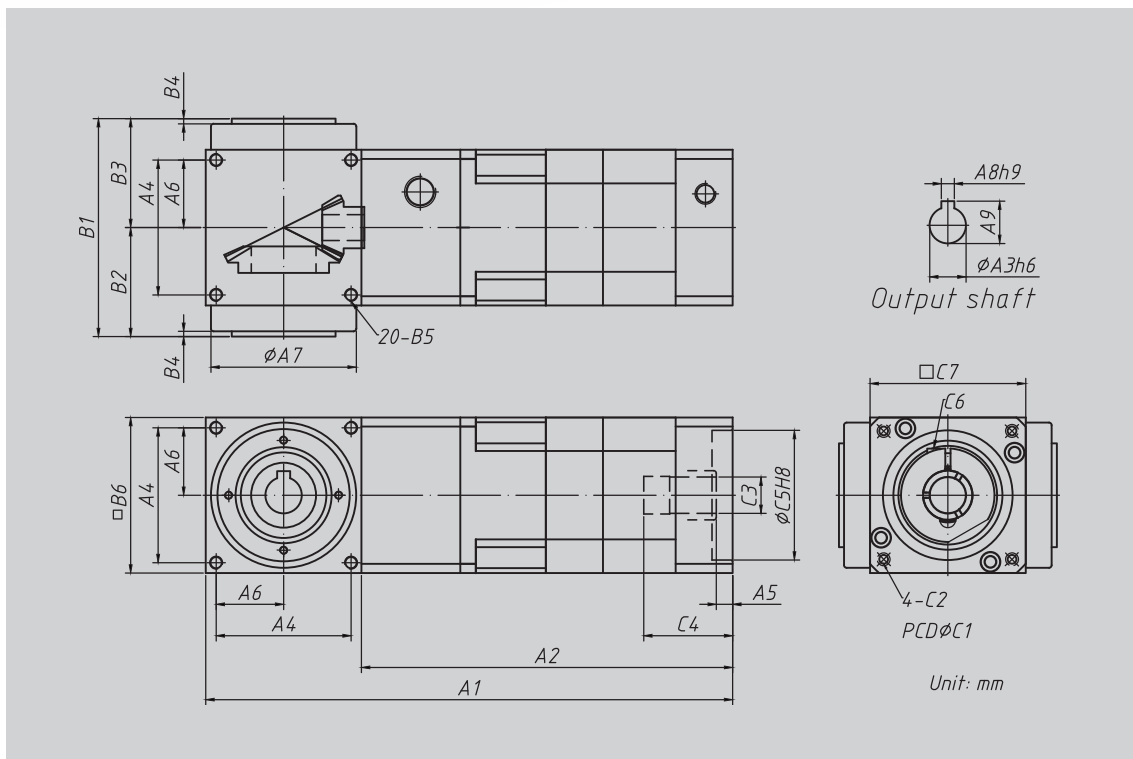
1-Stage (Ratio:1~10)



Model Code	60	90	115	142
A1	175.1	225.8	310.5	385
A2	115.1	135.8	195.5	243
A3	14	18	22	32
A4	52	72	88	110
A5	6	7.5	22.5	11.9
A6	26	36	44	55
A7	62	88	106	135
A8	5	6	8	10
A9	16.3	20.8	25.3	35.3
B1	84	118	144	174
B2	42	59	72	87
B3	42	59	72	87
B4	2	2	2	2
B5	M5 x P0.8	M6 x P1.0	M8 x P1.25	M10 x P1.5
B6	60	90	115	142
C1	70	90	145	165
C2	M5 x P0.8	M6 x P1.0	M8 x P1.25	M10 x P1.5
C3	14, 19	19, 24	24, 28	35, 42
C4	34	43	67.5	69
C5	50	70	110	130
C6	M5 x P0.8	M6 x P1.0	M8 x P1.25	M10 x P1.5
C7	60	90	130	142

MODEL : ST SERIES

2-Stage (Ratio:15~50)

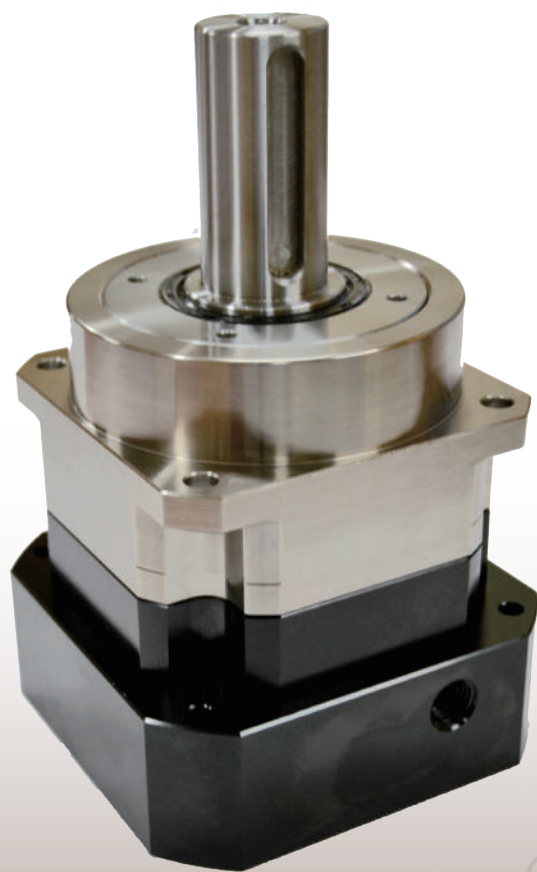


Model Code	60	90	115	142
A1	203.1	265.8	358.5	446
A2	143.1	175.8	243.5	304
A3	14	18	22	32
A4	52	72	88	110
A5	6	7.5	22.5	11.9
A6	26	36	44	55
A7	62	88	106	135
A8	5	6	8	10
A9	16.3	20.8	25.3	35.3
B1	84	118	144	174
B2	42	59	72	87
B3	42	59	72	87
B4	2	2	2	2
B5	M5 x P0.8	M6 x P1.0	M8 x P1.25	M10 x P1.5
B6	60	90	115	142
C1	70	90	145	165
C2	M5 x P0.8	M6 x P1.0	M8 x P1.25	M10 x P1.5
C3	14, 19	19, 24	24, 28	35, 42
C4	34	43	67.5	69
C5	50	70	110	130
C6	M5 x P0.8	M6 x P1.0	M8 x P1.25	M10 x P1.5
C7	60	90	130	142

SP series

high precision

planetary reducer



減速機性能資料 Reducer Performance Information

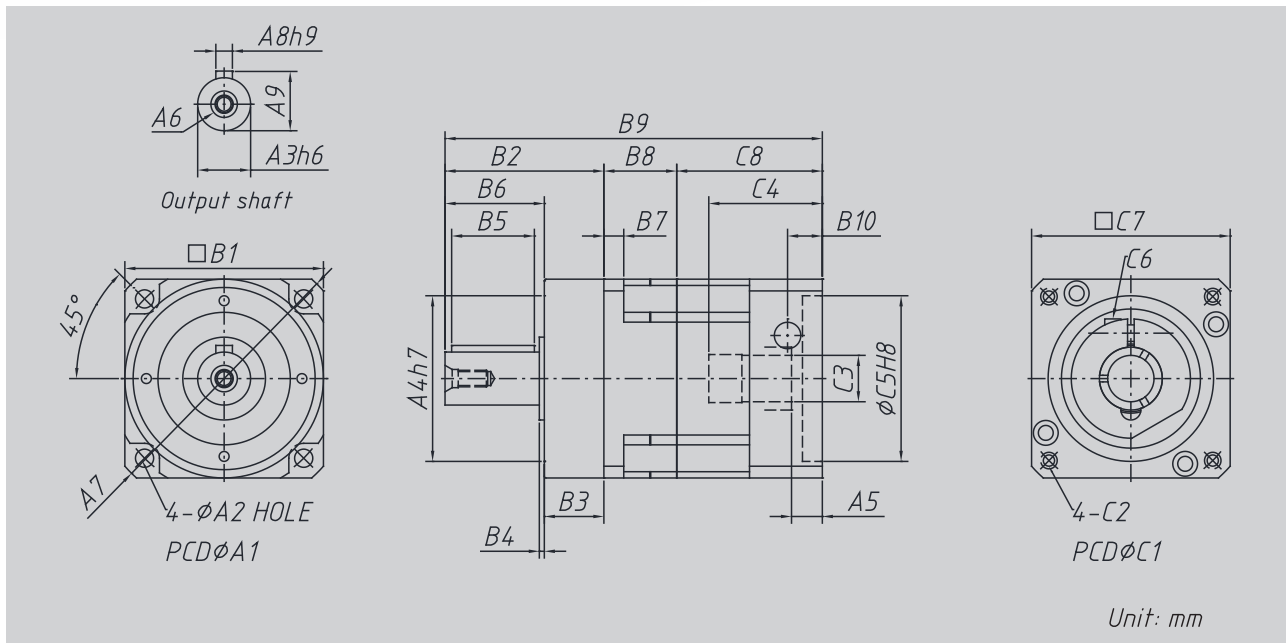
規格 Model NO.	單位 Unit	節數 Stage	減速比 Ratio	60	75	100	115	140	160	180	210	240
額定輸出力矩 T_{2N} Rated Output Torque	Nm	L1	3	17	47	120	168	200	380	530	1100	1500
			4	26	75	180	283	360	580	750	1500	2500
			5	26	75	175	280	360	580	750	1500	2500
			7	26	75	170	278	360	580	750	1400	2300
			10	17	52	120	168	220	505	750	1000	1700
		L2	16	26	75	180	283	360	580	750	1500	2500
			20	26	75	180	283	360	580	750	1500	2500
			25	26	75	175	280	360	580	750	1500	2500
			28	26	75	180	283	360	580	750	1500	2500
			35	26	75	175	280	360	580	750	1500	2500
			40	26	75	180	283	360	580	750	1500	2500
			50	26	75	175	280	360	580	750	1500	2500
			70	26	75	170	278	360	580	750	1400	2300
			100	17	52	120	168	220	505	750	1000	1700
最大輸入轉速 n_{1B} Max. Input Speed	rpm	L1/L2	3~100	6,000	6,000	4,500	4,000	4,000	3,200	3,500	2,500	2,500
額定輸入轉速 n_{1N} Rated Input Speed	rpm	L1	3~10	3,300	2,900	2,500	2,300	2,100	1,500	1,500	1,200	1,000
		L2	16~100	4,400	3,500	3,100	3,000	2,900	2,900	2,700	2,500	2,300
超精密背隙 P0 Backlash P0	arcmin	L1	3~10	≤ 3								
		L2	16~100	≤ 5								
精密背隙 P1 Backlash P1	arcmin	L1	3~10	≤ 5								
		L2	16~100	≤ 7								
標準背隙 P2 Backlash P2	arcmin	L1	3~10	≤ 7								
		L2	16~100	≤ 9								
最大加速扭矩 T_{2B} Max. Acceleration Torque	Nm	L1/L2	3~100	1.5倍額定輸出力矩 / 1.5 Times of nominal output torque								
最大輸出(急停)扭矩 T_{2NOT} Max. Output(Emergency Stop)Torque	Nm	L1/L2	3~100	3倍額定輸出力矩 / 3 Times of nominal output torque								
扭轉剛性 Torsional Rigidity	Nm/arcmin	L1/L2	3~100	3.5	10	31	25	53	145	175	400	500
容許徑向力 F_{2rB} Max. Radial Force	N	L1/L2	3~100	2800	4200	6600	6700	9900	14500	15400	21000	30000
容許軸向力 F_{2aB} Max. Axial Force	N	L1/L2	3~100	2400	3350	5650	3350	9870	7250	14150	30000	33000
使用壽命 Service Life	hr	L1/L2	3~100	20000								
使用溫度 Operation Temperature	°C	L1/L2	3~100	-10°C ~ 90°C								
效率 η Efficiency	%	L1	3~10	≥ 97								
		L2	16~100	≥ 94								
潤滑 Lubrication		L1/L2	3~100	合成潤滑油脂 / Synthetic Lubrication Grease								
噪音值 Noise Level	dB	L1	3~10	≤ 58	≤ 60	≤ 64	≤ 65	≤ 65	≤ 67	≤ 67	≤ 67	≤ 67
		L2	16~100	≤ 58	≤ 60	≤ 64	≤ 65	≤ 65	≤ 67	≤ 67	≤ 67	≤ 67
防護等級 Protection Class	IP	L1/L2	3~100	65								
安裝方向 Mounting Position		L1/L2	3~100	任意方向 / Any direction								
重量 Weight	kg	L1	3~10	1.9	3.9	7.7	13.1	17.2	26.9	34	56	77
		L2	16~100	2	3.6	7.9	13.3	17	28	36.4	53	76

減速機轉動慣量 Reducer Moment of inertia

規格 Model NO.	單位 Unit	節數 Stage	減速比 Ratio	60	75	100	115	140	160	180	210	240
轉動慣量 J_1	kg.cm ²	L1	3	0.61	2.4	11.1	21.3	29.5	28.98	58.2	139	260.2
			4	0.55	2.15	10.1	19.3	26.7	23.67	41.2	94.3	198.2
			5	0.52	2.05	9.68	18.5	25.6	23.29	35.3	76.9	163
			7	0.5	1.96	9.36	17.8	24.7	22.48	29.6	61.5	84.4
			10	0.49	1.91	9.14	17.5	24.2	22.51	26.5	53.1	70.8
		L2	16	0.17	0.55	2.18	6.55	10.3	7.42	28.1	34.5	39.2
			20	0.16	0.53	2.07	6.21	9.77	7.42	26.6	31.5	34.6
			25	0.16	0.52	2.05	6.18	9.73	7.42	26.3	30.8	33.2
			28	0.16	0.5	1.97	5.97	9.41	7.42	25.2	30	30.5
			35	0.16	0.5	1.96	5.95	9.39	7.42	25.1	29.7	29.7
			40	0.15	0.49	1.92	5.81	9.16	7.42	24.4	28.5	28.2
			50	0.15	0.49	1.91	5.8	9.15	7.03	24.3	28.3	27.9
			70	0.15	0.49	1.91	5.8	9.14	7.03	24.3	28.1	27.6
			100	0.15	0.49	1.91	5.8	9.14	7.03	24.3	28	27.5

MODEL : SP SERIES

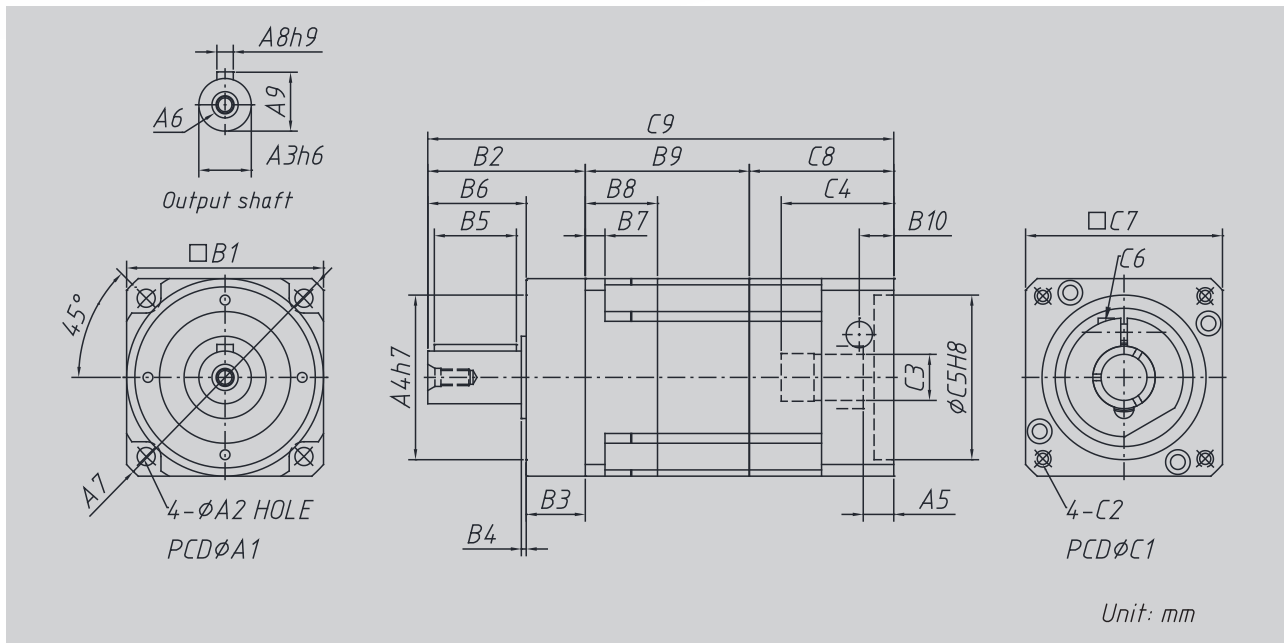
1-Stage (Ratio:3~10)



Code	Model	60	75	100	115	140	160	180	210	240
A1		68	85	120	130	165	190	215	250	290
A2		5.5	6.5	9	8.5	10.5	13	13.5	17	17
A3		16	22	32	35	40	50	55	75	85
A4		60	70	90	110	130	145	160	180	200
A5		6	6	7.5	22.5	11	11	12	35	35
A6		M5xP0.8	M8xP1.25	M12xP1.75	M12xP1.75	M16xP2.0	M16xP2.0	M20xP2.5	M20xP2.5	M20xP2.5
A7		80	95	135	148	185	215	240	292	320
A8		5	5	10	10	12	14	16	20	22
A9		18	24	35	38	43	53.5	59	79.5	90
B1		60	76	100	115	142	160	180	220	240
B2		48	56	88	100	112	112	112	143	170
B3		18	18.5	28.5	28	27	27	27.5	23	25
B4		1.5	1.5	1.5	2	3	0	2.5	15	15
B5		25	30	50	60	70	70	70	90	125
B6		30	37.5	59.5	72	85	85	84.5	120	145
B7		6	7	10	10	12	13.5	15	17	20
B8		22	21.5	24.5	38	60	60	80	104.4	102.4
B9		114	130.5	159.5	209	254	254	292	391.4	416.4
B10		13.5	13.5	14	15、30、40	23	23	27.5、72.5	45	45
C1		70	70	90	145	165	165	200	265	265
C2		M5xP0.8	M5xP0.8	M6xP1.0	M8xP1.25	M10xP1.5	M10xP1.5	M12xP1.75	M14xP2.0	M14xP2.0
C3		14、19	14、19	19、24	24、38	35、42	35、42	42	55	55
C4		34	34	43	67.5	68	68	72.5	121	121
C5		50	50	70	110	130	130	114.3	230	230
C6		M5xP0.8	M5xP0.8	M6、M5	M8xP1.25	M10xP1.5	M10xP1.5	M12xP1.75	M12xP1.75	M12xP1.75
C7		60	60	90	130	142	142	180	250	250
C8		44	44	47	71	82	82	100	144	144

MODEL : SP SERIES

2-Stage (Ratio:15~100)



Code \ Model	60	75	100	115	140	160	180	210	240
A1	68	85	120	130	165	190	215	250	290
A2	5.5	6.5	9	8.5	10.5	13	13.5	17	17
A3	16	22	32	35	40	50	55	75	85
A4	60	70	90	110	130	145	160	180	200
A5	6	6	7.5	22.5	11	11	12	35	35
A6	M5xP0.8	M8xP1.25	M12xP1.75	M12xP1.75	M16xP2.0	M16xP2.0	M20xP2.5	M20xP2.5	M20xP2.5
A7	80	95	135	148	185	215	240	292	320
A8	5	5	10	10	12	14	16	20	22
A9	18	24	35	38	43	53.5	59	79.5	90
B1	60	76	100	115	142	160	180	220	240
B2	48	56	88	100	112	112	112	143	170
B3	18	18.5	28.5	28	27	27	27.5	23	25
B4	1.5	1.5	1.5	2	3	0	2.5	15	15
B5	25	30	50	60	70	70	70	90	125
B6	30	37.5	59.5	72	85	85	84.5	120	145
B7	6	7	10	10	12	13.5	15	17	20
B8	22	21.5	24.5	38	60	60	80	104.4	102.4
B9	50	49.5	64.5	86	121	121	170	218.4	218.4
B10	13.5	13.5	14	15、30、40	23	23	27.5、72.5	45	45
C1	70	70	90	145	165	165	200	265	265
C2	M5xP0.8	M5xP0.8	M6xP1.0	M8xP1.25	M10xP1.5	M10xP1.5	M12xP1.75	M14xP2.0	M14xP2.0
C3	14、19	14、19	19、24	24、38	35、42	35、42	42	55	55
C4	34	34	43	67.5	68	68	72.5	121	121
C5	50	50	70	110	130	130	114.3	230	230
C6	M5xP0.8	M5xP0.8	M6、M5	M8xP1.25	M10xP1.5	M10xP1.5	M12xP1.75	M12xP1.75	M12xP1.75
C7	60	60	90	130	142	142	180	250	250
C8	44	44	47	71	82	82	100	144	144
C9	142	158.5	199.5	257	315	315	382	505.4	530.4

PE series

high precision

planetary reducer



減速機性能資料 Reducer Performance Information

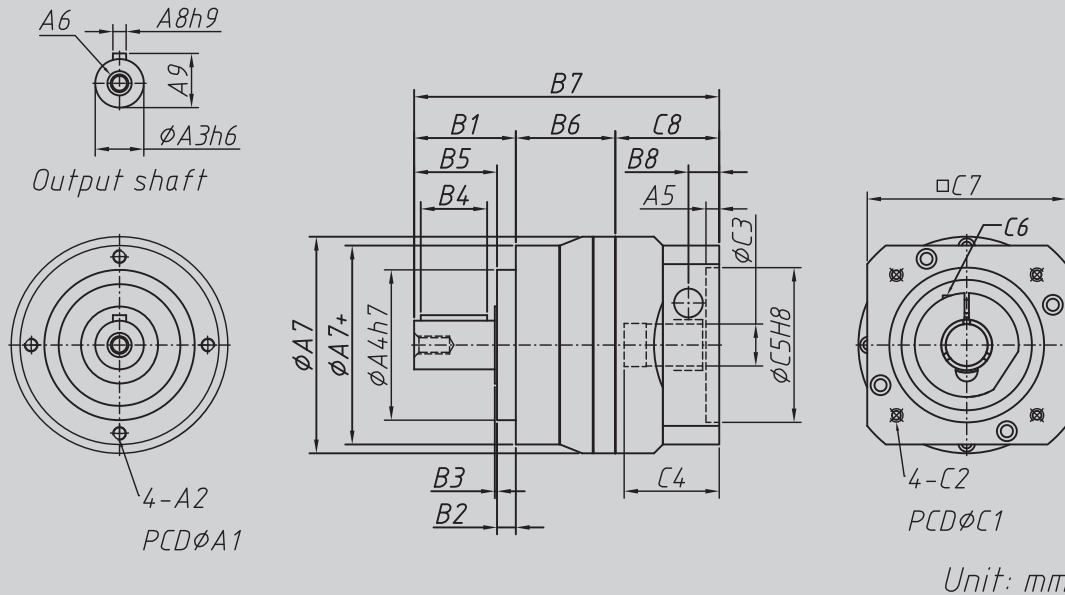
規格 Model NO.	單位 Unit	節數 Stage	減速比 Ratio	42	60	90	115	142	180
額定輸出力矩 T_{2N} Rated Output Torque	Nm	L1	3	17	44	115	225	440	955
			4	17	44	118	231	450	875
			5	16	42	123	228	445	850
			7	13	37	101	206	376	805
			10	11	29	73	163	305	775
		L2	15	16	42	114	221	434	955
			20	17	44	121	238	464	875
			25	16	42	128	236	460	850
			30	16	42	113	220	432	955
			35	13	37	105	214	392	805
			40	17	45	122	240	469	875
			50	16	42	128	236	460	850
			70	13	37	105	214	392	805
			100	11	29	75	170	318	775
最大輸入轉速 n_{1B} Max. Input Speed	rpm	L1/L2	3~100	8,000	6,000	6,000	4,800	3,600	3,000
額定輸入轉速 n_{1N} Rated Input Speed	rpm	L1/L2	3~100	4,500	4,000	3,600	3,600	2,500	2,000
標準背隙 Backlash	arcmin	L1	3~10	≤ 8					
		L2	15~100	≤ 12					
最大加速扭矩 T_{2B} Max. Acceleration Torque	Nm	L1/L2	3~100	1.8倍額定輸出力矩 / 1.8 Times of nominal output torque					
最大輸出(急停)扭矩 T_{2NOT} Max. Output(Emergency Stop) Torque	Nm	L1/L2	3~100	3倍額定輸出力矩 / 3 Times of nominal output torque					
扭轉剛性 Torsional Rigidity	Nm/arcmin	L1/L2	3~100	3	7	14	25	50	140
容許徑向力 F_{2rB} Max. Radial Force	N	L1/L2	3~100	810	1,150	1,530	3,260	4,550	11,150
容許軸向力 F_{2aB} Max. Axial Force	N	L1/L2	3~100	405	575	765	1,630	2,275	5,575
使用壽命 Service Life	hr	L1/L2	3~100	S5週期運轉 > 20,000 ; (S1連續運轉 > 10,000 hrs) S5 Cycle Operation ; > 20,000 (S1 Continuous Operation ; > 10,000 hrs)					
使用溫度 Operation Temperature	°C	L1/L2	3~100	-25°C ~ 90°C					
效率 η Efficiency	%	L1	3~10	≤ 97					
		L2	15~100	≤ 94					
潤滑 Lubrication		L1/L2	3~100	合成潤滑油脂 / Synthetic Lubrication Grease					
噪音值 Noise Level	dB	L1	3~10	≤ 60	≤ 62	≤ 64	≤ 66	≤ 68	≤ 70
		L2	15~100	≤ 60	≤ 62	≤ 64	≤ 66	≤ 68	≤ 72
防護等級 Protection Class	IP	L1/L2	3~100	IP 65					
安裝方向 Mounting Position		L1/L2	3~100	任意方向 / Any direction					
重量 Weight	kg	L1	3~10	0.6	1.4	3.3	6.9	13	38
		L2	15~100	0.9	1.6	4.7	8.7	17	48

減速機轉動慣量 Reducer Moment of inertia

規格 Model NO.	單位 Unit	節數 Stage	減速比 Ratio	42	60	90	115	142	180
轉動慣量 J_1	kg.cm ²	L1	3	0.04	0.14	0.61	3.25	8.75	24.63
			4	0.04	0.13	0.48	2.74	7.16	20.12
			5	0.04	0.11	0.47	2.74	6.84	19.80
			7	0.04	0.11	0.44	2.58	6.78	19.21
			10	0.04	0.11	0.44	2.57	6.68	19.13
		L2	15	0.04	0.14	0.61	3.25	8.75	24.63
			20	0.04	0.13	0.48	2.74	7.16	20.12
			25	0.04	0.11	0.47	2.74	6.84	19.80
			30	0.04	0.14	0.61	3.25	8.75	24.63
			35	0.04	0.11	0.44	2.58	6.78	19.21
			40	0.04	0.11	0.48	2.74	7.16	20.12
			50	0.04	0.11	0.47	2.74	6.84	19.80
			70	0.04	0.11	0.44	2.58	6.78	19.21
			100	0.04	0.11	0.44	2.57	6.68	19.13

MODEL : PE SERIES

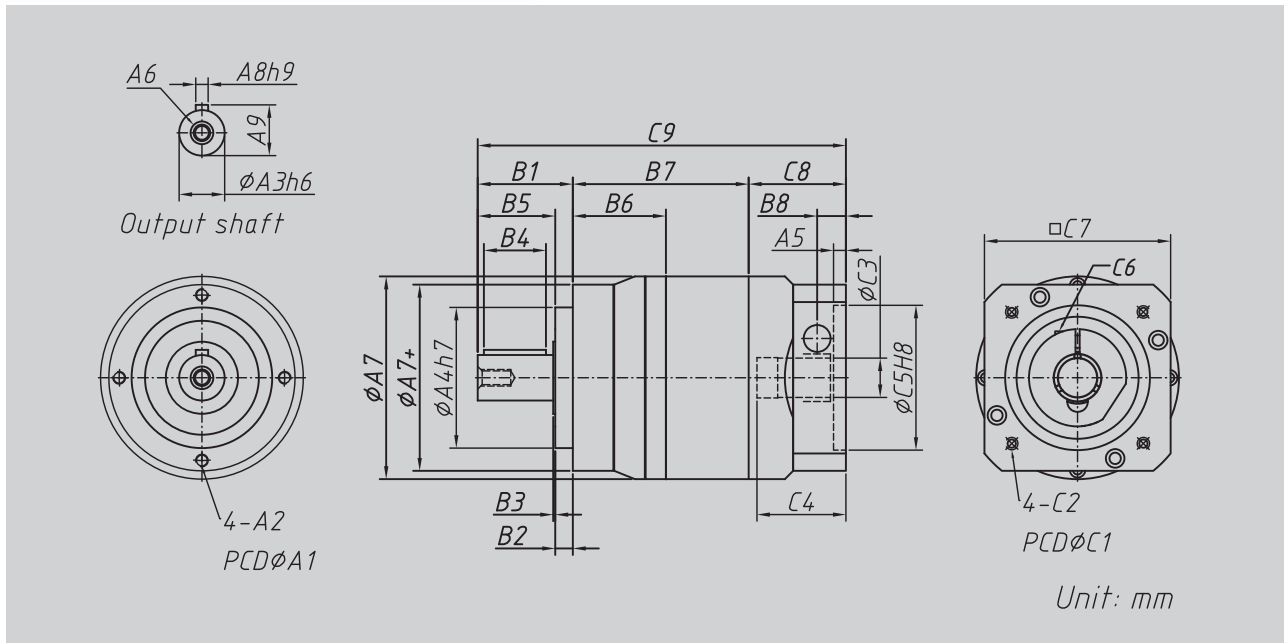
1-Stage (Ratio:3~10)



Model	42	60	90	115	142	180
A1	44	62	80	108	140	184
A2	M4 x P0.7	M5 x P0.8	M6 x P1.0	M6 x P1.0	M10 x P1.25	M12 x P1.75
A3	13	16	22	32	40	55
A4	35	52	68	90	120	160
A5	6	6	7.5	22.5	11	12
A6	M4 x P0.7	M5 x P0.8	M8 x P1.25	M12 x P1.75	M16 x P2.0	M20 x P2.5
A7	59	70	98	125	156	212
A7+	50	70	90	120	156	205
A8	5	5	6	10	12	16
A9	15	18	24.5	35	43	59
B1	24.5	36.5	46	70	97	99.5
B2	4	6.5	8.5	17	15	15
B3	1.6	1.5	1	2	3	2.5
B4	15	25	30	40	63	70
B5	20.5	30	37.5	53	82	84.5
B6	28.3	33.5	45	49	72	87.5
B7	114.8	114	138	190	251	283
B8	11	10.5	14	30	23	27.5
C1	46	70	90	145	165	200
C2	M4 x P0.7	M5 x P0.8	M6 x P1.0	M8 x P1.25	M10 x P1.5	M12 x P1.75
C3	8	14, 19	19, 24	24, 28	35, 42	42
C4	26	34.1	43	67.5	68.1	72.5
C5	30	50	70	110	130	114.3
C6	M3 x P0.5	M5 x P0.8	M6 x P1.0	M8 x P1.25	M10 x P1.5	M12 x P1.75
C7	42.6	60	90	130	142	180
C8	34.5	44	47	71	82	91

MODEL : PE SERIES

2-Stage (Ratio:15~100)

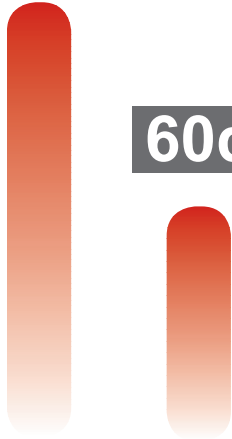


Model Code	42	60	90	115	142	180
A1	44	62	80	108	140	184
A2	M4 X P0.7	M5 x P0.8	M6 x P1.0	M6 x P1.0	M10 x P1.25	M12 x P1.75
A3	13	16	22	32	40	55
A4	35	52	68	90	120	160
A5	6	6	7.5	22.5	11	12
A6	M4 x P0.7	M5 x P0.8	M8 x P1.25	M12 x P1.75	M16 x P2.0	M20 x P2.5
A7	59	70	98	125	156	212
A7+	50	70	90	120	156	205
A8	5	5	6	10	12	16
A9	15	18	24.5	35	43	59
B1	24.5	36.5	46	70	97	99.5
B2	4	6.5	8.5	17	15	15
B3	1.6	1.5	1	2	3	2.5
B4	15	25	30	40	63	70
B5	20.5	30	37.5	53	82	84.5
B6	28.3	33.5	45	49	72	87.5
B7	54.3	61.5	85	97	133	177.5
B8	11	10.5	14	30	23	27.5
C1	46	70	90	145	165	200
C2	M4 x P0.7	M5 x P0.8	M6 x P1.0	M8 x P1.25	M10 x P1.5	M12 x P1.75
C3	8	14, 19	19, 24	24, 28	35, 42	42
C4	26	34.1	43	67.5	68.1	72.5
C5	30	50	70	110	130	114.3
C6	M3 x P0.5	M5 x P0.8	M6 x P1.0	M8 x P1.25	M10 x P1.5	M12 x P1.75
C7	42.6	60	90	130	142	180
C8	34.5	44	47	71	82	91
C9	114.8	142	178	238	312	373

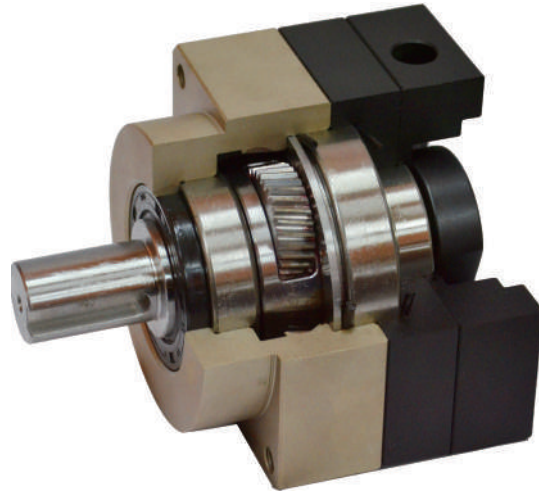
VG SERIES

產品特點 Product Features

65dB



60dB



採日式規格、體積較短、低噪音
Use Japanese specification
Small in size

減速機結構採螺旋齒輪設計，齒形嚙合率為一般正齒輪的二倍以上，具有運轉平順、低噪音高輸出扭矩和低背隙的特性。
Adopting helical gear design, the contact ratio of planetary reducer is twice higher than vertical one. Smooth running, high output torque and low backlash are distinguished features.



輸入端與馬達的連結機構，採用筒夾式的鎖緊經動平衡分析，以確保在高輸入轉速下結合介面的同心度和零背隙的動力傳遞。

Triple split collet with dynamic balanced set collar clamping system provides backlash free power transmission and eliminates slippage. 100% concentricity allows for smooth rotation and higher input speed capability.



行星臂架與輸出軸採一體式的設計結構，確保最大耐扭力剛性及穩定性。

Integrated design of planet carrier and output shaft ensures the maximum torque stiffness and stability.

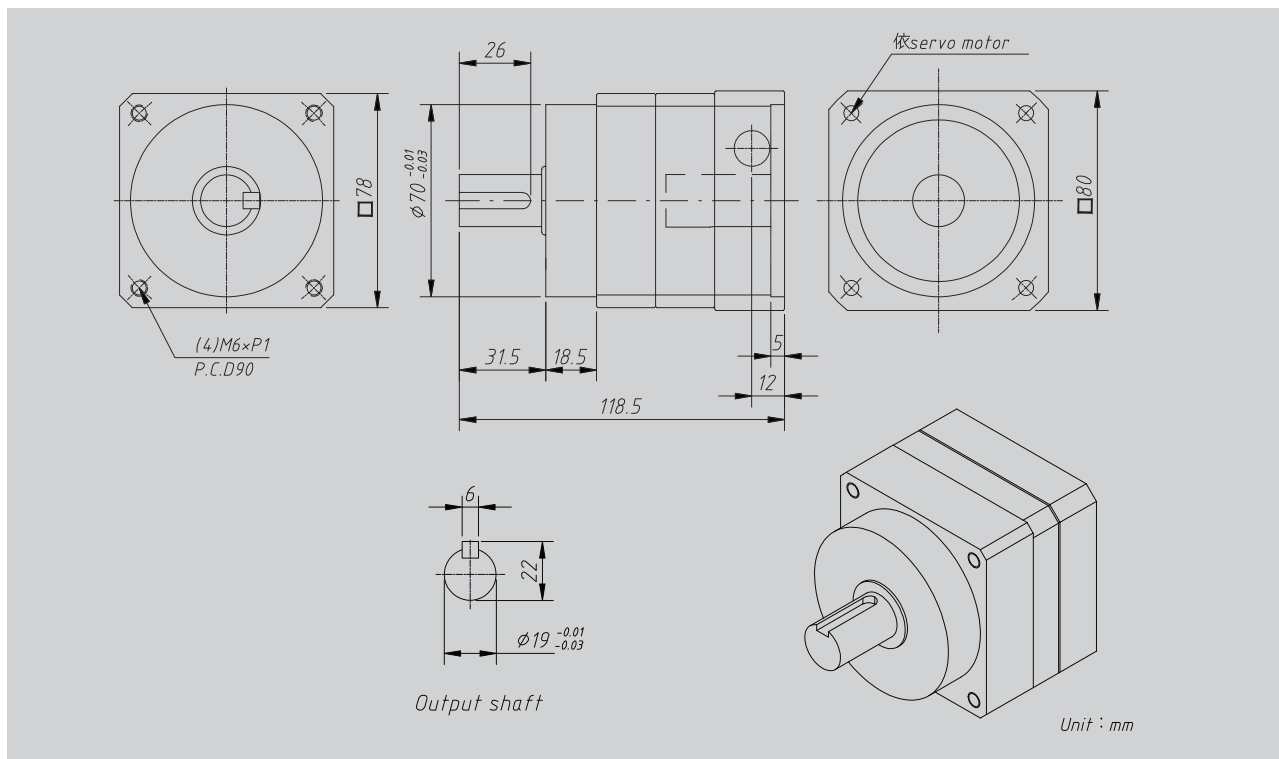
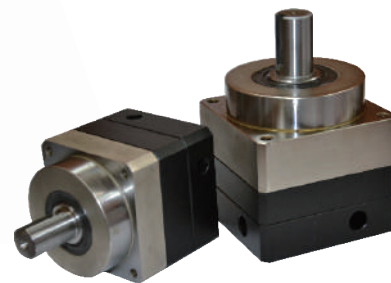


齒輪箱和內環齒輪採一體式設計，結構緊湊、精密度高、輸出扭矩大。

Gear box and internal ring gear are integrated designed, diameter maximized, high precision and high torque capacity are specialties.

MODEL : VG78 SERIES

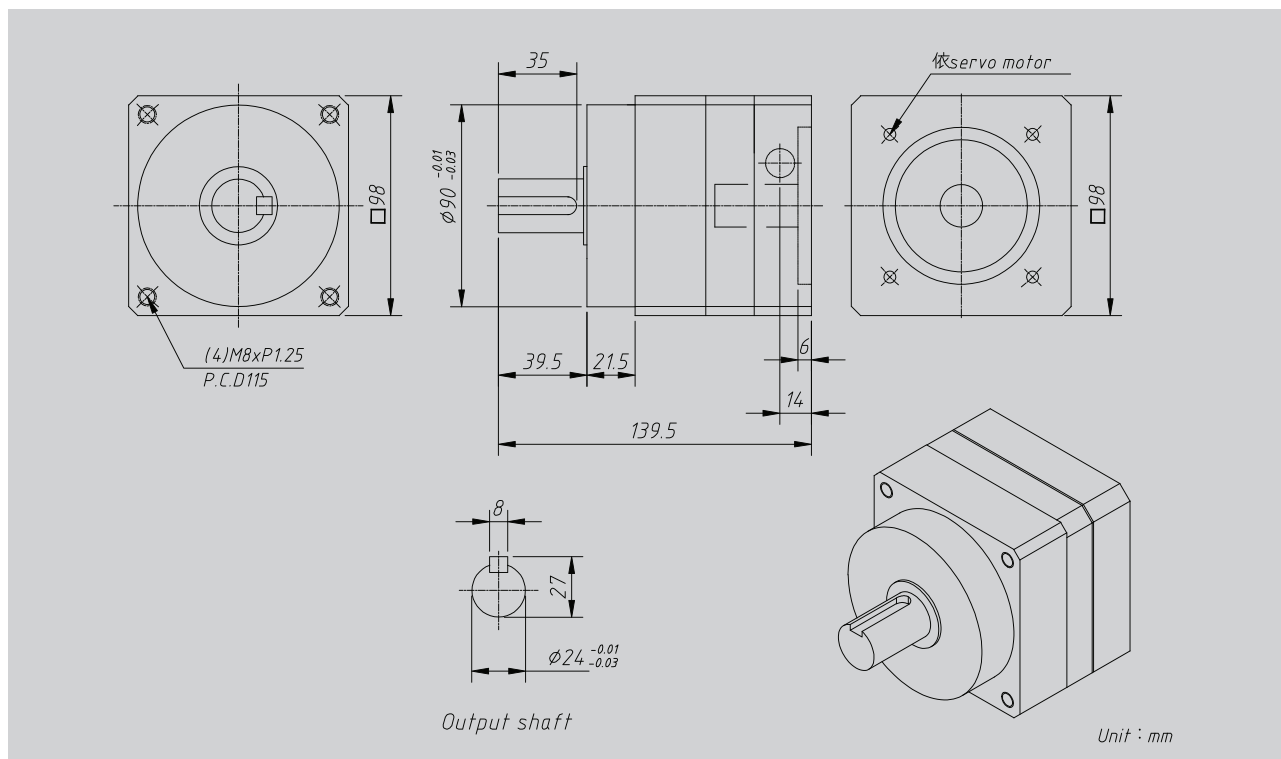
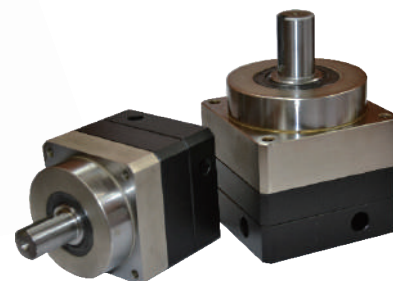
1-Stage (Ratio: 3~10)



減速比 Ratio	3	4	5	6	7	8	9	10
額定輸出力矩 Nominai Output Torque (N.m)	55	50	48	45	46	45	44	43
最大輸入轉速 Max. input Speed	10000 rpm							
額定輸入轉速 Nominal input Speed	5000 rpm							
標準背隙 Standard Backlash	≤ 7 arcmin							
急停扭矩 Emergency Stop Torque	3 倍額定輸出力矩 /3Time Of Nominal Output Torque							
扭轉剛性 Torsional Rigidity	7 Nm							
容許徑向力 Max. Radial Force	1250 N							
容許軸向力 Max. Axial Force	660 N							
使用壽命 Service Life	20000 hr							
使用溫度 Operating Temp	-25°C ~ 90°C							
效率 Efficiency	≥ 97%							
潤滑 Lubrication	合成潤滑油脂 / Synthetic Lubrication Grease							
噪音值 Noise Level (nl=3000rpm, 無負載)	58 dB							
防護等級 Degree of Gearbox Protection	IP65							
安裝方向 Mounting Position	任意方向 /Any Direction							
重量 Weight ±3%	2.2 kg							

MODEL : VG98 SERIES

1-Stage (Ratio: 3~10)



減速比 Ratio	3	4	5	6	7	8	9	10
額定輸出力矩 Nominai Output Torque (N.m)	130	140	160	150	148	142	145	141
最大輸入轉速 Max. input Speed	8000 rpm							
額定輸入轉速 Nominal input Speed	4000 rpm							
標準背隙 Standard Backlash	≤ 7 arcmin							
急停扭矩 Emergency Stop Torque	3 倍額定輸出力矩 /3Time Of Nominal Output Torque							
扭轉剛性 Torsional Rigidity	14 Nm							
容許徑向力 Max. Radial Force	3230 N							
容許軸向力 Max. Axial Force	1615 N							
使用壽命 Service Life	20000 hr							
使用溫度 Operating Temp	-25°C ~ 90°C							
效率 Efficiency	≥ 97%							
潤滑 Lubrication	合成潤滑油脂 / Synthetic Lubrication Grease							
噪音值 Noise Level (nl=3000rpm, 無負載)	60 dB							
防護等級 Degree of Gearbox Protection	IP65							
安裝方向 Mounting Position	任意方向 /Any Direction							
重量 Weight ±3%	4.2 kg							

HK SERIES

產品特點 Product Features



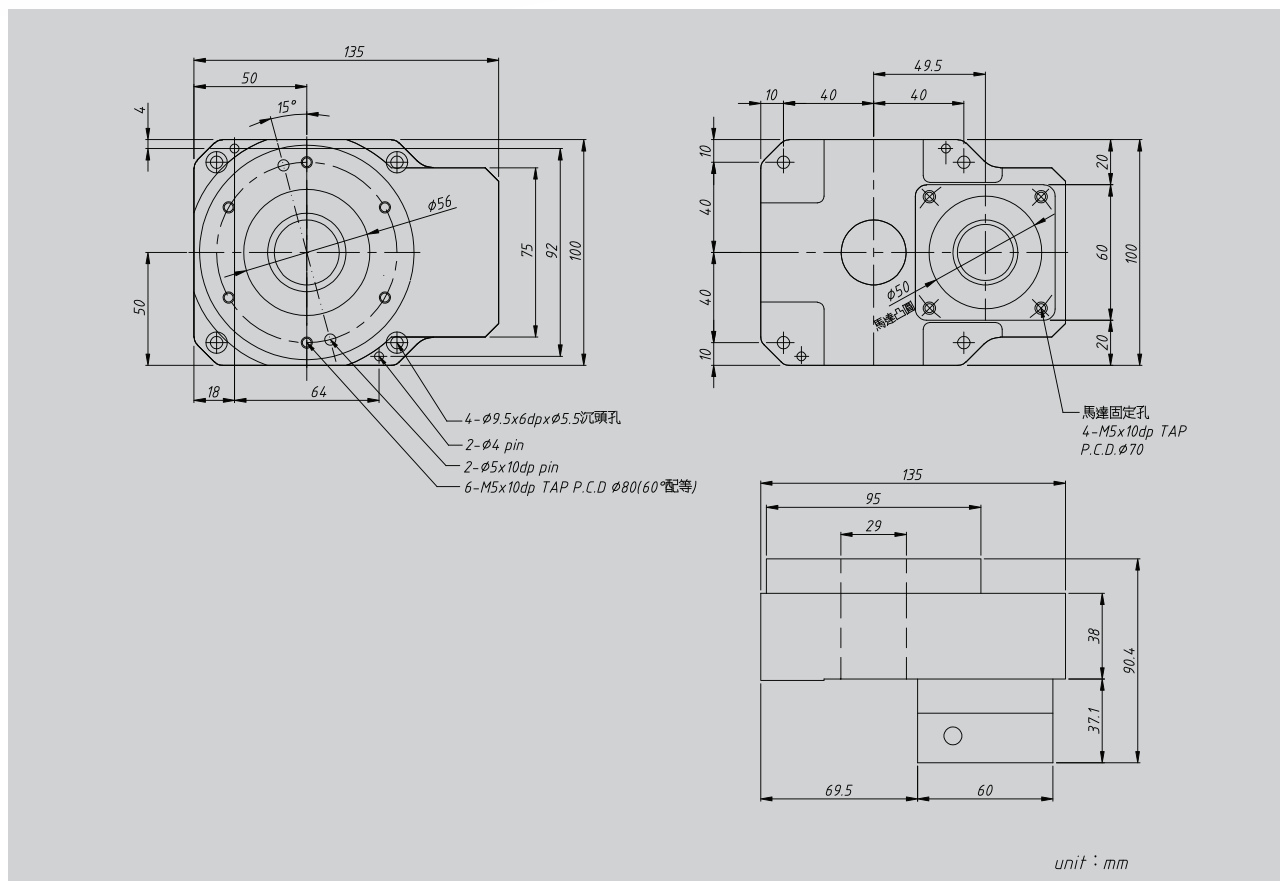
HOLLOW ROTARY

中空旋轉平台可做精密旋轉定位，直接取代凸輪分割器和 DD 馬達具有低成本高精度的優勢，並可搭配 AC 伺服馬達或步進馬達做任意角度分割。可滿足分割器無法達到之數位控制，且定位精度可媲美 DD 馬達。

HOLLOW ROTARY can be the precision positioning, replacing cam indexing units directly and the DD motor has advantages of low cost with high precision. It may also collocate with AC servo motor or stepper motor for arbitrary angle cutting.

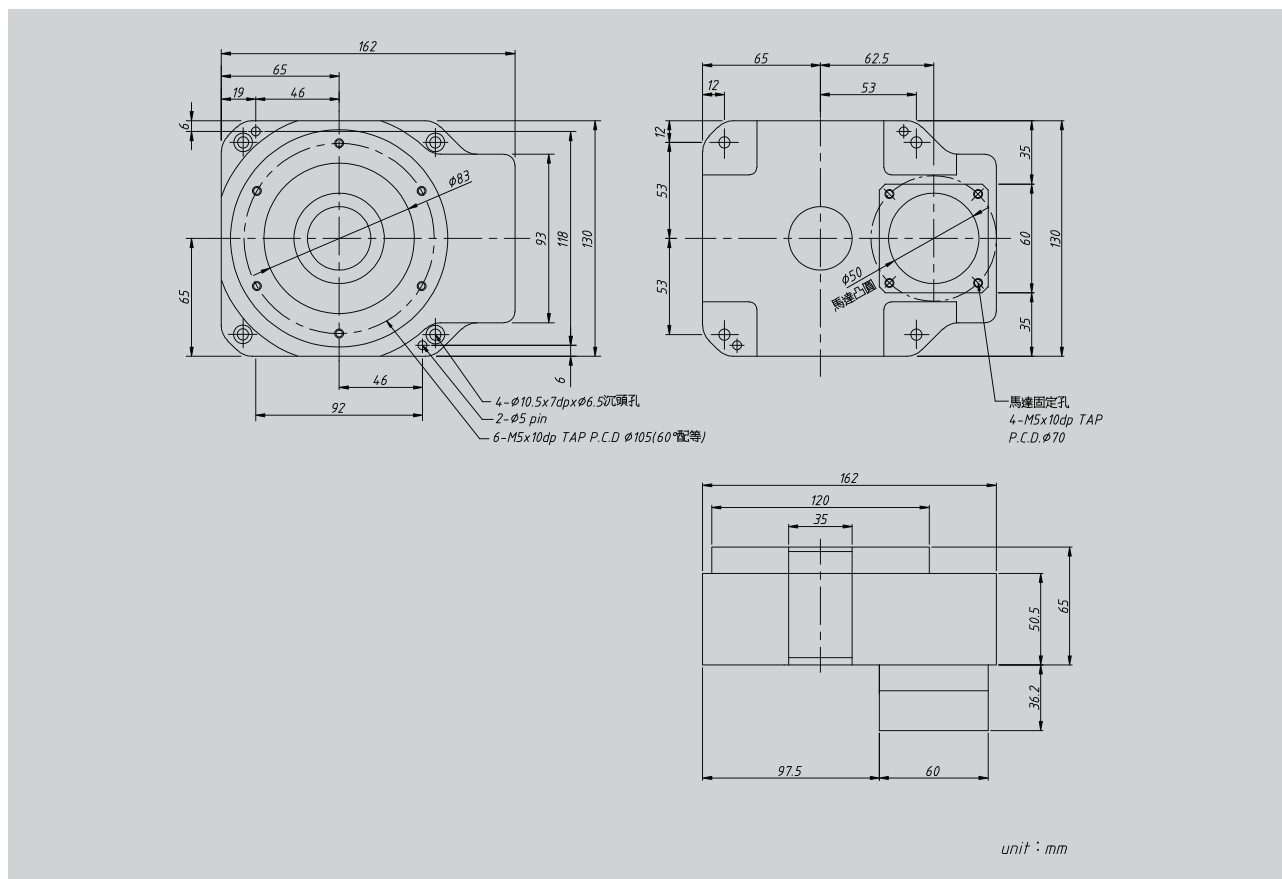
It can satisfy the digital control that indexing units cannot provide and the accuracy of positioning compares favorably with DD motor.

MODEL : HK100 SERIES



馬達種類 motor	各廠牌 60 型步進馬達	各廠牌 200-400W AC 伺服馬達
旋轉平台軸承	圓錐滾子軸承	
容許轉矩 N.m	10	
慣性慣量 kg.m	3898 x 10	
允許轉速 rpm	200(盤面)	依伺服馬達規格
解析度 P/R	8000~1500000 (半步進設定)(微步進設定)	
減速比 ratio	直結式 : 1 : 18 ; 直結減速機 : 1 : 54 直角轉向式 : 1 : 18 , 1 : 36	
定位精度 arcmin	≤ 1	
反覆定位精度 um	± 5	
旋轉平台行度 mm	± 0.02	
旋轉平同心度 mm	≡ 0.01	
保護等級 IP	40	
重量 Weight ±3%	4 kg	

MODEL : HK130 SERIES



馬達種類 motor	各廠牌 60 型步進馬達	各廠牌 200-400W AC 伺服馬達
旋轉平台軸承	單列向心推力球軸承	
容許轉矩 N.m	14	
慣性慣量 kg.m	9216 x 10	
允許轉速 rpm	200(盤面)	依伺服馬達規格
解析度 P/R	8000~1500000 (半步進設定)(微步進設定)	
減速比 ratio	直結式 : 1 : 18 ; 直結減速機 : 1 : 54 直角轉向式 : 1 : 18 , 1 : 36	
定位精度 arcmin	≤ 1	
反覆定位精度 um	± 5	
旋轉平台行度 mm	± 0.02	
旋轉平同心度 mm	± 0.01	
保護等級 IP	40	
重量 Weight $\pm 3\%$	5 kg	

轉動慣量

Mass Moments of Inertia

規格 Specifications		節數 Stag	減速比 Ratio	42	60	90	115	142	180
轉動慣量 J	Kg.Cm2	1	3	0.03	0.16	0.61	3.25	9.21	28.98
			4	0.03	0.14	0.48	2.74	7.54	23.67
			5	0.03	0.13	0.47	2.71	7.42	23.29
			6	0.03	0.13	0.45	2.65	7.25	22.75
			7	0.03	0.13	0.44	2.62	7.14	22.48
			8	0.03	0.13	0.44	2.58	7.07	22.59
			9	0.03	0.13	0.44	2.57	7.04	22.53
			10	0.03	0.13	0.44	2.57	7.03	22.51
			15	0.03	0.03	0.14	0.46	2.63	7.3
			20	0.03	0.03	0.14	0.46	2.63	7.3
		2	25	0.03	0.03	0.14	0.46	2.63	7.1
			30	0.03	0.03	0.14	0.46	2.43	7.1
			35	0.03	0.03	0.14	0.44	2.43	7.1
			40	0.03	0.03	0.14	0.44	2.43	7.1
			50	0.03	0.03	0.14	0.44	2.43	6.92
			60	0.03	0.03	0.14	0.43	2.39	6.92
			70	0.03	0.03	0.14	0.43	2.39	6.72
			80	0.03	0.03	0.14	0.43	2.39	6.72
			90	0.03	0.03	0.14	0.40	2.39	6.72
			100	0.03	0.03	0.14	0.40	2.39	6.72

1. 減速比 (i=Nin/Nout)

2. 最大加速力矩 $T_{2B}=60\%$ of T_{2NOT}

Max. Acceleration Input Speed $T_{2B}=60\%$ of T_{2NOT}

3. 輸出轉速 100rpm 時, 作用於輸出軸中心位置

Apply to the output shaft center at 100 rpm

* 連續運轉, 使用壽命為 10,000hrs

1000 hrs service life under consecutive operation

減速機選用參考表 REDUCER SELECTABLE (by Power of Servo-motor)

▾ PG、SG、SGL、SGS 1-Stage 單段

馬達功率 Power	型號 Model	42	60	90	115	142	180
100W		●	●				
200W		●	●				
400W			●	●			
750W				●	●		
1KW					●	●	
1.5KW					●	●	
2.2KW					●	●	
3.75KW					●	●	
5.5KW						●	●
7.5KW						●	●
11KW							●
15KW							●
22KW							●
30KW							●

▾ PG、SG、SGL、SGS 2-Stage 雙段

馬達功率 Power	型號 Model	42	60	90	115	142	180
100W		●	●				
200W		●	●				
400W			●	●			
750W				●	●		
1KW				●	●	●	
1.5KW				●	●	●	
2.2KW					●	●	
3.75KW					●	●	
5.5KW						●	●
7.5KW						●	●
11KW							●
15KW							●
22KW							●
30KW							●

※ 以上表格僅供參考，選用時仍須以『額定輸出扭矩』為依據。

This Table is for reference, Shall be selected based on rated output torque.

馬達迫緊螺絲建議扭力表

The tightening torque of motor mounting bolt recommend sheet

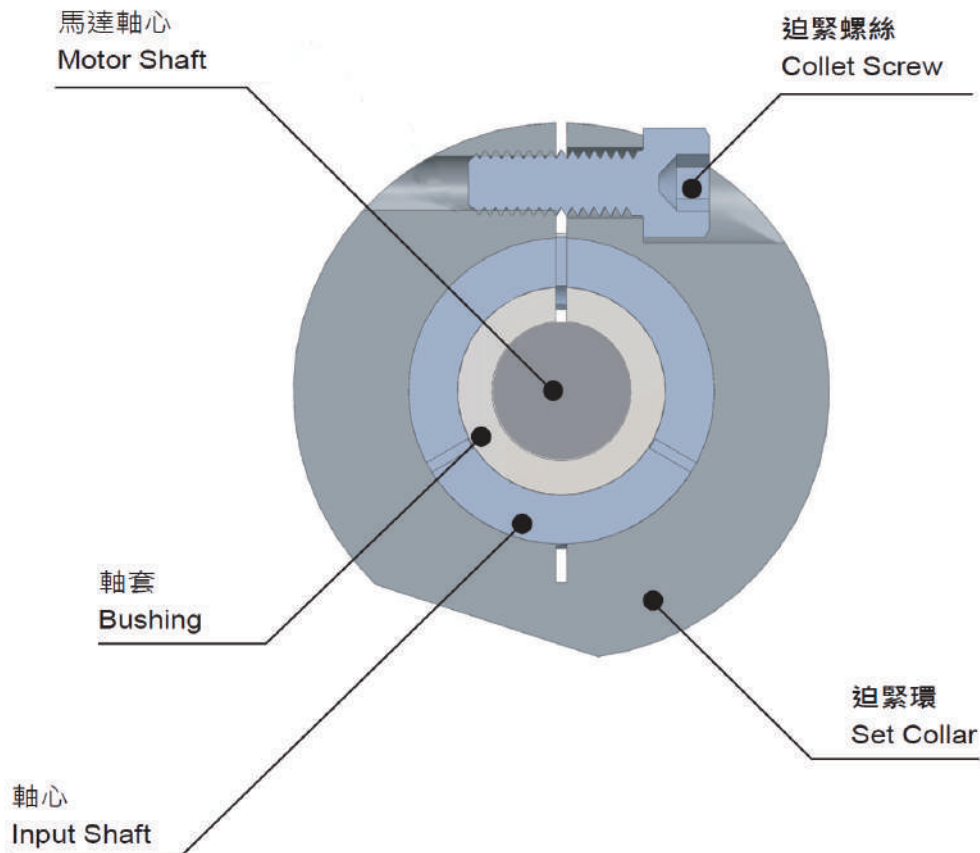
型號 / Model PG、SGL、SG、SGS、 SE、SGR、ST、PE	迫緊螺絲規格 Bolt Size	螺絲強度 Strength of Bolt	鎖緊扭力值 Tightening Torque(Nm)
042、047	M3 *P0.5	12.9	2.1
060、064、VG78、HK100、HK130	M5 *P0.8	12.9	9.8
090、VG98	M6 *P1.0	12.9	17
110、115	M8 *P1.25	12.9	41
140、142	M10 *P1.5	12.9	80
180	M12 *P1.75	12.9	139
220	M12 *P1.75	12.9	139

※當馬達的扭矩過大時，有造成打滑的可能性；

若有必要請適當的增加上述鎖緊扭力值20%，以防止打滑現象發生。

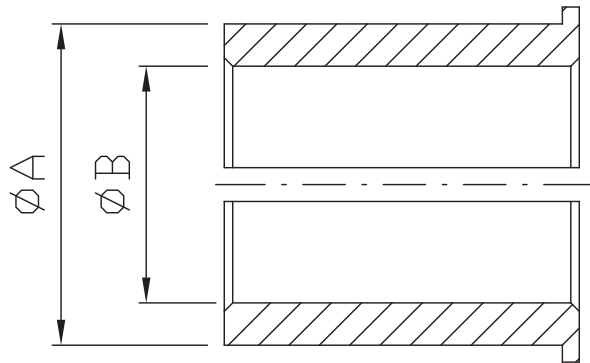
※ when the torque of motor was over clench torque, it will be cause slip.

If necessary please increase the tightening torque 20% to prevent the slip.



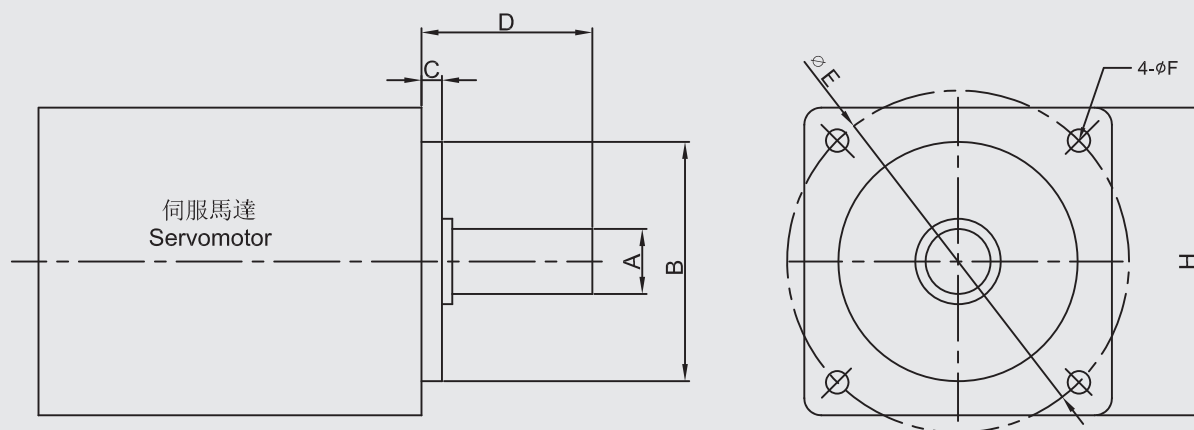
軸套 Bushing

軸套內徑為所使用伺服馬達的輸入軸軸徑。



輸入軸孔徑 ϕA Shaft Bore	8	11	14	19	22	24	28	35	38	42	48	60
軸套孔徑 ϕB Bushing Bore												
5	●											
6	●	●	●									
6.35	●		●									
8		●	●									
9		●	●									
10			●	●								
11			●	●								
12			●	●								
12.7			●	●								
14				●		●						
16				●		●	●					
19					●	●	●					
22						●	●	●				
24							●	●				
28								●		●		
32								●	●			
35									●	●		
38										●		
42											●	
48												●
55												●

客戶詢問資料 Inquiry Informstion



馬達廠牌：
MOTOR Lable

馬達型號：
MOTOR Model

A	B	C	D	E	F	H

行星減速機訂購型號

減速機型 Type	型號 Model	減速比 Ratio	出力軸鍵槽 Output Shaft Keyway	背隙等級 Backlash Class	馬達型號 MOTOR NO.

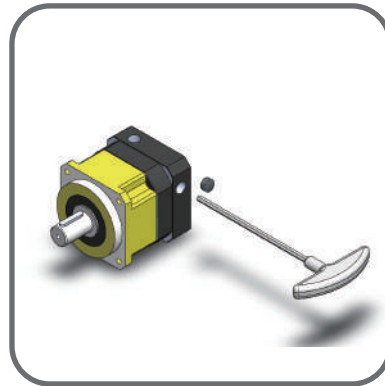
公司名稱 Company Name		聯絡人 Contact Person	
地址 Address			
電話 Tel	傳真 Fax	電子信箱 E-mail	
備註 Notes			

SPT行星減速機與馬達安裝指南

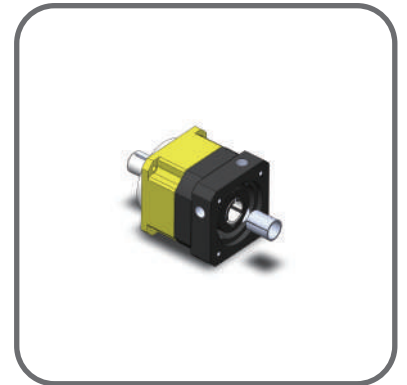
Planetary Gearbox and Motor Mounting Instructions



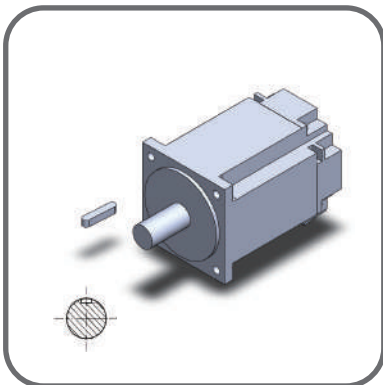
1. 確認行星減速機及馬達規格，並將安裝面用乾淨的布擦拭乾淨。
Double check the motor and gearbox size, then clean the mounting surface.



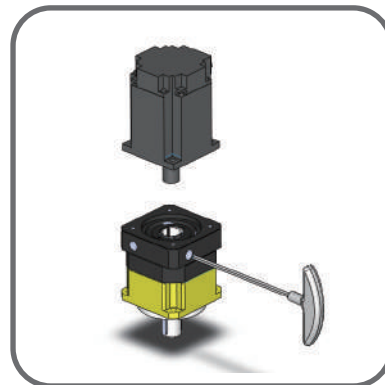
2. 用六角板手將埋栓螺絲取下，並旋轉內部迫緊環，使迫緊螺絲對正孔位以利安裝。
Remove the plug on the adapter plate, then rotate the set collar till the bolt is line up.



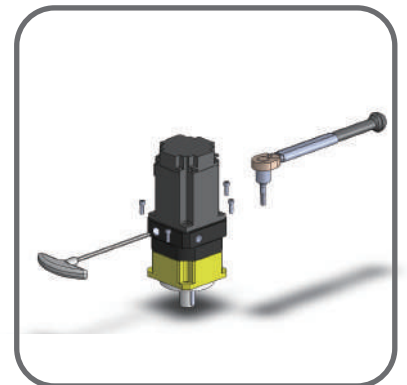
3. 部份型號於出廠前已配好軸套，如有必要請檢查軸套是否掉落或是被移除。
Check motor shaft size and insert bushing if necessary.



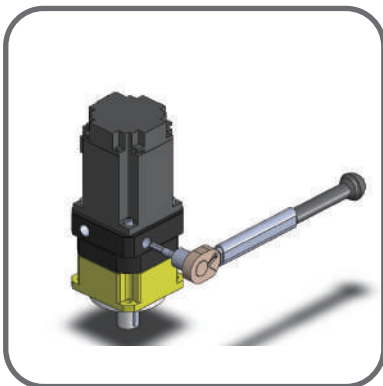
4. 將馬達上的鍵取下，如果有必要的话請另行安裝平衡鍵。
Remove the key of motor, insert the balance key if necessary.



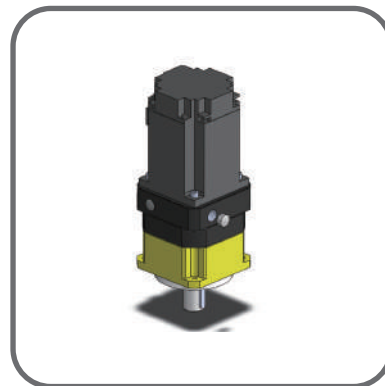
5. 以直立的方式安裝馬達，並注意迫緊環是否偏位影響安裝。
Set at vertical position, and make sure set collar at correct position.



6. 使用扭力板手將四支固定螺絲對角對稱上緊，鎖緊扭力請依馬達廠商建議值。
Tighten the mounting bolts in 1 ~ 4 order with torque wrench.



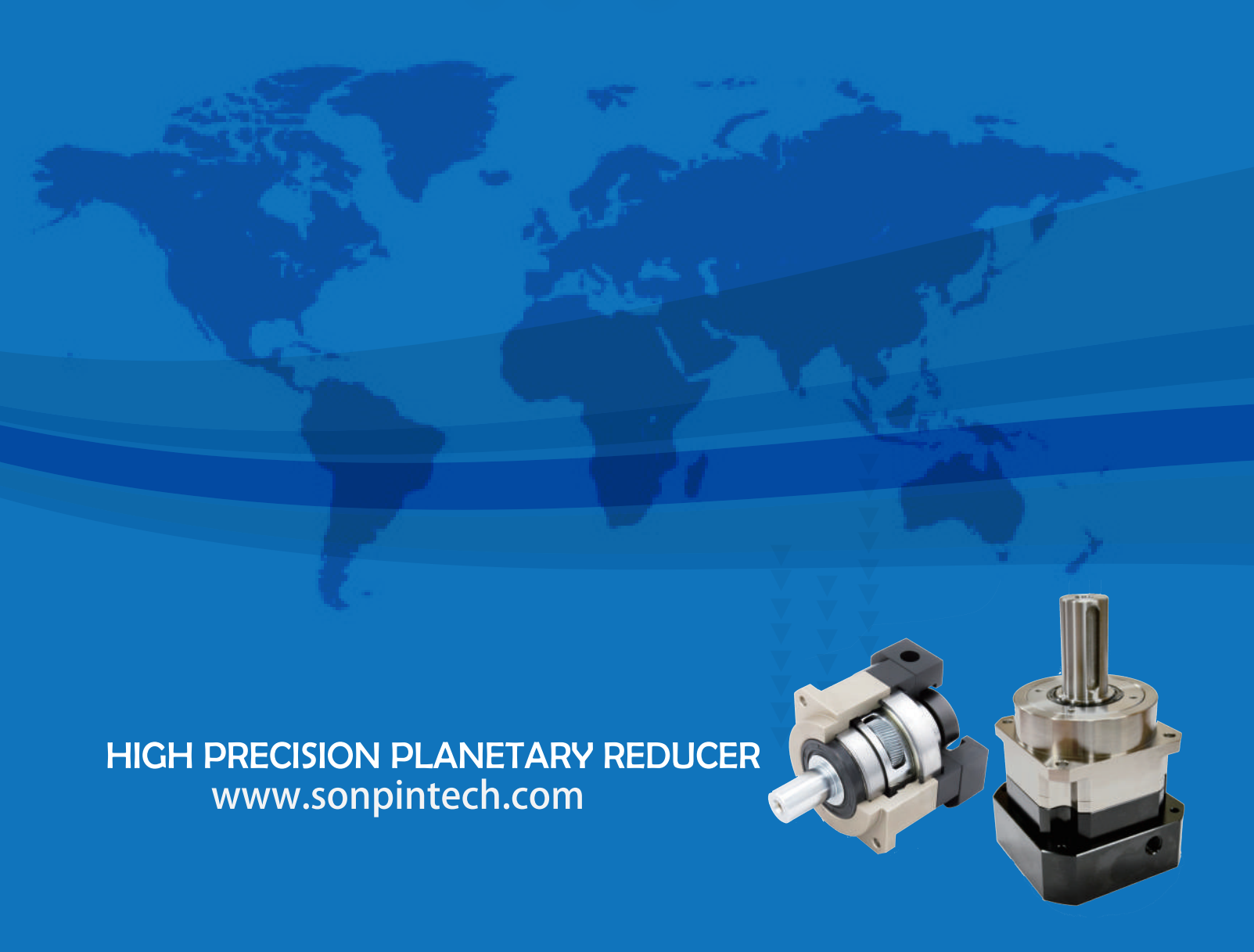
7. 參考迫緊螺絲扭力建議表，鎖緊迫緊環的固定螺絲。
Tighten the set collar bolt with torque wrench to specified torque. (see recommend sheet)



8. 最後再將埋栓螺絲裝回。
Tighten back the screw plug.



RW



HIGH PRECISION PLANETARY REDUCER
www.sonpintech.com

SPT[®] SONG PIN
松品科技有限公司
Song Pin Technology Co., Ltd.

台中市 427 潭子區潭興路一段 165 巷 7-5 號
No.7-5, Ln.165, Sec.1, Tanxing Rd., Tanzi Dist.,
Taichung City 42753, Taiwan
Tel : 886-4-25379937 Fax : 886-4-25367166
E-mail : son.pin@msa.hinet.net