

ST series

high precision

planetary reducer



減速機性能資料 Reducer Performance Information

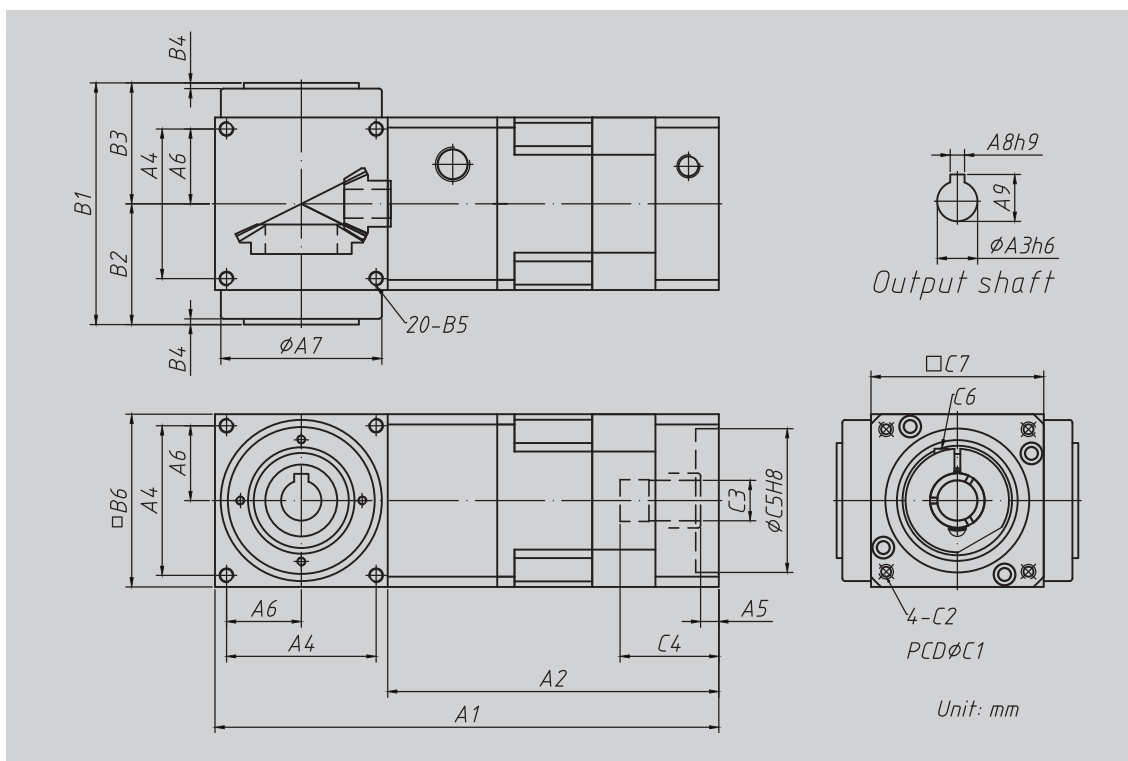
規格 Model NO.	單位 Unit	節數 Stage	減速比 Ratio	60	90	115	142
額定輸出力矩 T_{2N} Rated Output Torque	Nm	L1	3	25	78	150	360
			4	25	78	150	360
			5	25	78	150	360
			10	24	68	150	330
			20	24	68	150	330
		L2	15	25	78	150	360
			25	25	78	150	360
			30	24	68	150	330
			40	24	68	150	330
			50	25	78	150	360
最大輸入轉速 n_{1B} Max. Input Speed	rpm	L1/L2	3~50	6,000	6,000	6,000	6,000
額定輸入轉速 n_{1N} Rated Input Speed	rpm	L1/L2	3~50	3,000	3,000	3,000	3,000
超精密背隙 P0 Backlash P0	arcmin	L1	3~20	≤ 4			
		L2	15~50	≤ 6			
精密背隙 P1 Backlash P1	arcmin	L1	3~20	≤ 7			
		L2	15~50	≤ 9			
精密背隙 P2 Backlash P2	arcmin	L1	3~20	≤ 10			
		L2	15~50	≤ 12			
最大加速扭矩 T_{2B} Max. Acceleration Torque	Nm	L1/L2	3~50	1.5倍額定輸出力矩 / 1.5 Times of nominal output torque			
最大輸出(急停)扭矩 T_{2NOT} Max. Output(Emergency Stop) Torque	Nm	L1/L2	3~50	3倍額定輸出力矩 / 3 Times of nominal output torque			
容許徑向力 F_{2rB} Max. Radial Force	N	L1/L2	3~50	600	1,000	2,000	3,000
容許軸向力 F_{2aB} Max. Axial Force	N	L1/L2	3~50	300	500	1,000	1,500
使用壽命 Service Life	hr	L1/L2	3~50	S5週期運轉 > 20,000 ; (S1連續運轉 > 10,000 hrs) S5 Cycle Operation ; > 20,000 (S1 Continuous Operation ; > 10,000 hrs)			
使用溫度 Operation Temperature	°C	L1/L2	3~50	-25°C ~ 90°C			
效率 η Efficiency	%	L1	3~20	≤ 94			
		L2	15~50	≤ 90			
潤滑 Lubrication		L1/L2	3~50	合成潤滑油脂 / Synthetic Lubrication Grease			
噪音值 Noise Level	dB	L1	3~20	≤ 68	≤ 73	≤ 74	≤ 75
		L2	15~50	≤ 71	≤ 76	≤ 77	≤ 78

減速機轉動慣量 Reducer Moment of inertia

規格 Model NO.	單位 Unit	節數 Stage	減速比 Ratio	60	90	115	142
轉動慣量 J_1	kg.cm ²	L1	3	0.05	0.18	0.41	0.56
			4	0.05	0.18	0.41	0.56
			5	0.05	0.18	0.41	0.56
			10	0.05	0.18	0.41	0.56
			20	0.05	0.18	0.41	0.56
		L2	15	0.05	0.18	0.41	0.56
			25	0.05	0.18	0.41	0.56
			30	0.05	0.16	0.38	0.53
			40	0.05	0.16	0.38	0.53
			50	0.05	0.16	0.38	0.53

MODEL : ST SERIES

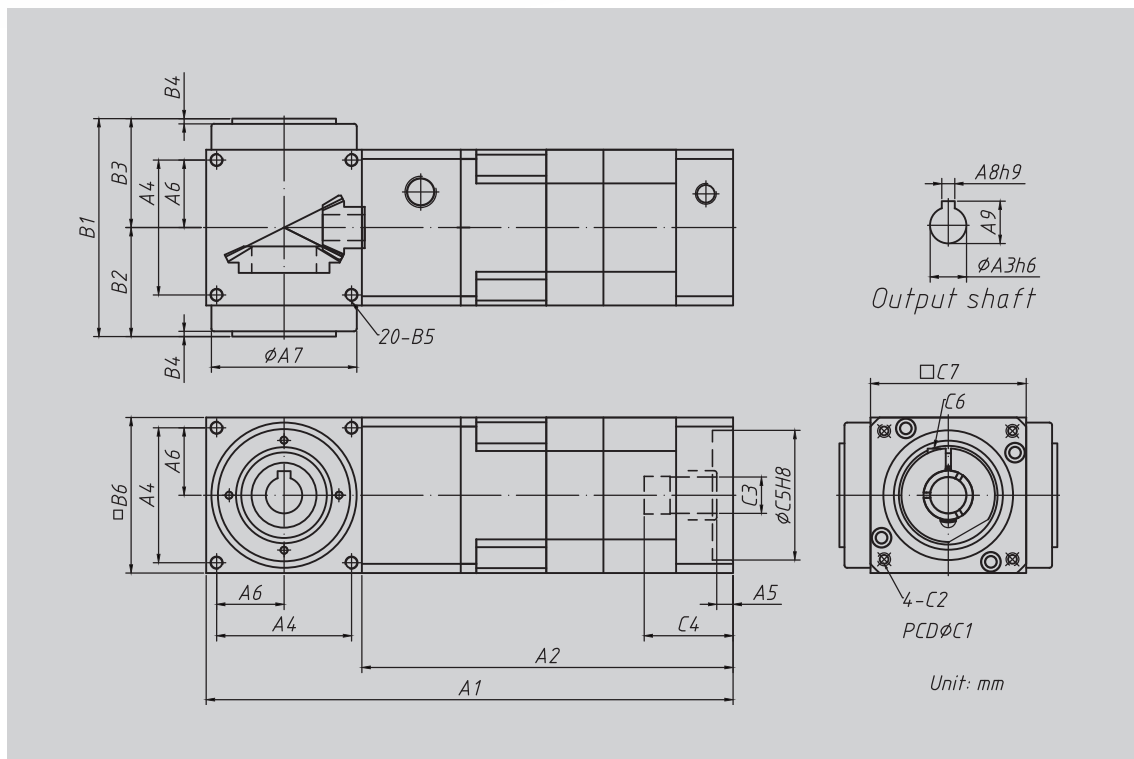
1-Stage (Ratio:1~10)



Model Code	60	90	115	142
A1	175.1	225.8	310.5	385
A2	115.1	135.8	195.5	243
A3	14	18	22	32
A4	52	72	88	110
A5	6	7.5	22.5	11.9
A6	26	36	44	55
A7	62	88	106	135
A8	5	6	8	10
A9	16.3	20.8	25.3	35.3
B1	84	118	144	174
B2	42	59	72	87
B3	42	59	72	87
B4	2	2	2	2
B5	M5 x P0.8	M6 x P1.0	M8 x P1.25	M10 x P1.5
B6	60	90	115	142
C1	70	90	145	165
C2	M5 x P0.8	M6 x P1.0	M8 x P1.25	M10 x P1.5
C3	14, 19	19, 24	24, 28	35, 42
C4	34	43	67.5	69
C5	50	70	110	130
C6	M5 x P0.8	M6 x P1.0	M8 x P1.25	M10 x P1.5
C7	60	90	130	142

MODEL : ST SERIES

2-Stage (Ratio:15~50)



Model Code	60	90	115	142
A1	203.1	265.8	358.5	446
A2	143.1	175.8	243.5	304
A3	14	18	22	32
A4	52	72	88	110
A5	6	7.5	22.5	11.9
A6	26	36	44	55
A7	62	88	106	135
A8	5	6	8	10
A9	16.3	20.8	25.3	35.3
B1	84	118	144	174
B2	42	59	72	87
B3	42	59	72	87
B4	2	2	2	2
B5	M5 x P0.8	M6 x P1.0	M8 x P1.25	M10 x P1.5
B6	60	90	115	142
C1	70	90	145	165
C2	M5 x P0.8	M6 x P1.0	M8 x P1.25	M10 x P1.5
C3	14, 19	19, 24	24, 28	35, 42
C4	34	43	67.5	69
C5	50	70	110	130
C6	M5 x P0.8	M6 x P1.0	M8 x P1.25	M10 x P1.5
C7	60	90	130	142