

PE series

high precision

planetary reducer



減速機性能資料 Reducer Performance Information

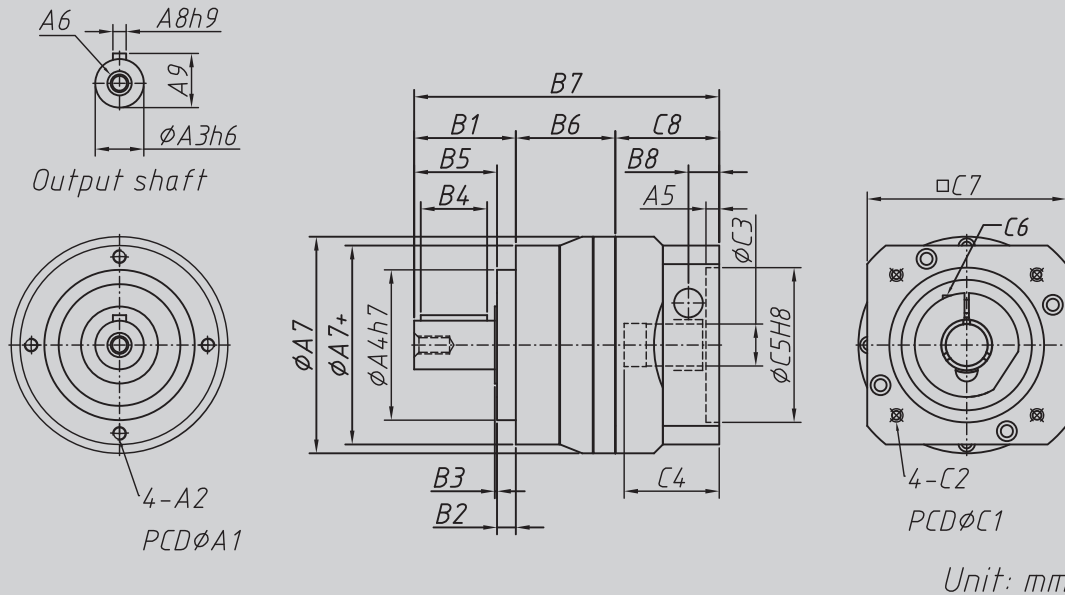
規格 Model NO.	單位 Unit	節數 Stage	減速比 Ratio	42	60	90	115	142	180
額定輸出力矩 T_{2N} Rated Output Torque	Nm	L1	3	17	44	115	225	440	955
			4	17	44	118	231	450	875
			5	16	42	123	228	445	850
			7	13	37	101	206	376	805
			10	11	29	73	163	305	775
		L2	15	16	42	114	221	434	955
			20	17	44	121	238	464	875
			25	16	42	128	236	460	850
			30	16	42	113	220	432	955
			35	13	37	105	214	392	805
			40	17	45	122	240	469	875
			50	16	42	128	236	460	850
			70	13	37	105	214	392	805
			100	11	29	75	170	318	775
最大輸入轉速 n_{1B} Max. Input Speed	rpm	L1/L2	3~100	8,000	6,000	6,000	4,800	3,600	3,000
額定輸入轉速 n_{1N} Rated Input Speed	rpm	L1/L2	3~100	4,500	4,000	3,600	3,600	2,500	2,000
標準背隙 Backlash	arcmin	L1	3~10	≤ 8					
		L2	15~100	≤ 12					
最大加速扭矩 T_{2B} Max. Acceleration Torque	Nm	L1/L2	3~100	1.8倍額定輸出力矩 / 1.8 Times of nominal output torque					
最大輸出(急停)扭矩 T_{2NOT} Max. Output(Emergency Stop) Torque	Nm	L1/L2	3~100	3倍額定輸出力矩 / 3 Times of nominal output torque					
扭轉剛性 Torsional Rigidity	Nm/arcmin	L1/L2	3~100	3	7	14	25	50	140
容許徑向力 F_{2rB} Max. Radial Force	N	L1/L2	3~100	810	1,150	1,530	3,260	4,550	11,150
容許軸向力 F_{2aB} Max. Axial Force	N	L1/L2	3~100	405	575	765	1,630	2,275	5,575
使用壽命 Service Life	hr	L1/L2	3~100	S5週期運轉 > 20,000 ; (S1連續運轉 > 10,000 hrs) S5 Cycle Operation ; > 20,000 (S1 Continuous Operation ; > 10,000 hrs)					
使用溫度 Operation Temperature	°C	L1/L2	3~100	-25°C ~ 90°C					
效率 η Efficiency	%	L1	3~10	≤ 97					
		L2	15~100	≤ 94					
潤滑 Lubrication		L1/L2	3~100	合成潤滑油脂 / Synthetic Lubrication Grease					
噪音值 Noise Level	dB	L1	3~10	≤ 60	≤ 62	≤ 64	≤ 66	≤ 68	≤ 70
		L2	15~100	≤ 60	≤ 62	≤ 64	≤ 66	≤ 68	≤ 72
防護等級 Protection Class	IP	L1/L2	3~100	IP 65					
安裝方向 Mounting Position		L1/L2	3~100	任意方向 / Any direction					
重量 Weight	kg	L1	3~10	0.6	1.4	3.3	6.9	13	38
		L2	15~100	0.9	1.6	4.7	8.7	17	48

減速機轉動慣量 Reducer Moment of inertia

規格 Model NO.	單位 Unit	節數 Stage	減速比 Ratio	42	60	90	115	142	180
轉動慣量 J_1	kg.cm ²	L1	3	0.04	0.14	0.61	3.25	8.75	24.63
			4	0.04	0.13	0.48	2.74	7.16	20.12
			5	0.04	0.11	0.47	2.74	6.84	19.80
			7	0.04	0.11	0.44	2.58	6.78	19.21
			10	0.04	0.11	0.44	2.57	6.68	19.13
		L2	15	0.04	0.14	0.61	3.25	8.75	24.63
			20	0.04	0.13	0.48	2.74	7.16	20.12
			25	0.04	0.11	0.47	2.74	6.84	19.80
			30	0.04	0.14	0.61	3.25	8.75	24.63
			35	0.04	0.11	0.44	2.58	6.78	19.21
			40	0.04	0.11	0.48	2.74	7.16	20.12
			50	0.04	0.11	0.47	2.74	6.84	19.80
			70	0.04	0.11	0.44	2.58	6.78	19.21
			100	0.04	0.11	0.44	2.57	6.68	19.13

MODEL : PE SERIES

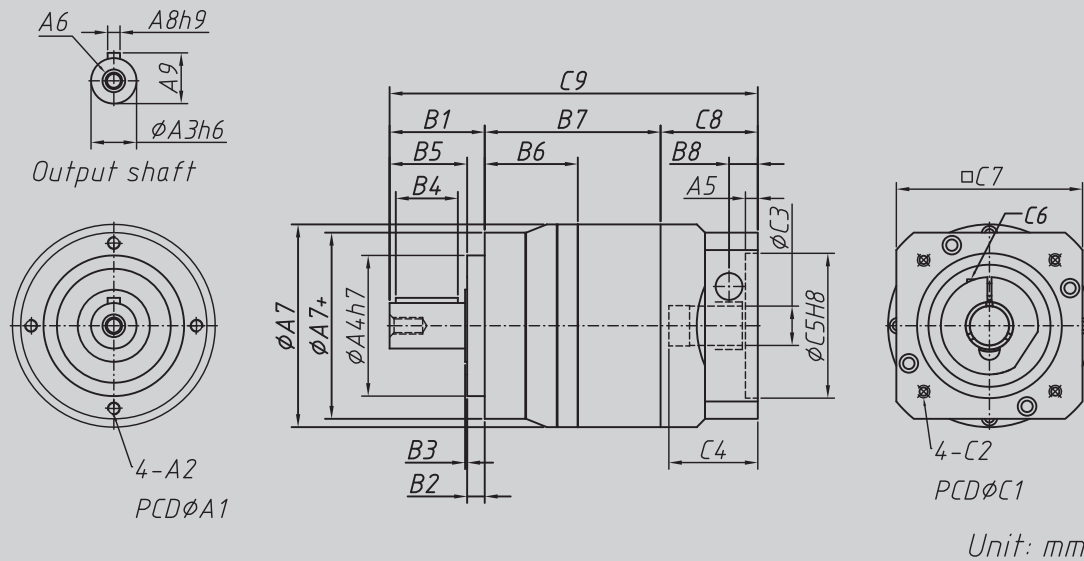
1-Stage (Ratio:3~10)



Model	42	60	90	115	142	180
A1	44	62	80	108	140	184
A2	M4 x P0.7	M5 x P0.8	M6 x P1.0	M6 x P1.0	M10 x P1.25	M12 x P1.75
A3	13	16	22	32	40	55
A4	35	52	68	90	120	160
A5	6	6	7.5	22.5	11	12
A6	M4 x P0.7	M5 x P0.8	M8 x P1.25	M12 x P1.75	M16 x P2.0	M20 x P2.5
A7	59	70	98	125	156	212
A7+	50	70	90	120	156	205
A8	5	5	6	10	12	16
A9	15	18	24.5	35	43	59
B1	24.5	36.5	46	70	97	99.5
B2	4	6.5	8.5	17	15	15
B3	1.6	1.5	1	2	3	2.5
B4	15	25	30	40	63	70
B5	20.5	30	37.5	53	82	84.5
B6	28.3	33.5	45	49	72	87.5
B7	114.8	114	138	190	251	283
B8	11	10.5	14	30	23	27.5
C1	46	70	90	145	165	200
C2	M4 x P0.7	M5 x P0.8	M6 x P1.0	M8 x P1.25	M10 x P1.5	M12 x P1.75
C3	8	14, 19	19, 24	24, 28	35, 42	42
C4	26	34.1	43	67.5	68.1	72.5
C5	30	50	70	110	130	114.3
C6	M3 x P0.5	M5 x P0.8	M6 x P1.0	M8 x P1.25	M10 x P1.5	M12 x P1.75
C7	42.6	60	90	130	142	180
C8	34.5	44	47	71	82	91

MODEL : PE SERIES

2-Stage (Ratio:15~100)



Model Code	42	60	90	115	142	180
A1	44	62	80	108	140	184
A2	M4 X P0.7	M5 x P0.8	M6 x P1.0	M6 x P1.0	M10 x P1.25	M12 x P1.75
A3	13	16	22	32	40	55
A4	35	52	68	90	120	160
A5	6	6	7.5	22.5	11	12
A6	M4 x P0.7	M5 x P0.8	M8 x P1.25	M12 x P1.75	M16 x P2.0	M20 x P2.5
A7	59	70	98	125	156	212
A7+	50	70	90	120	156	205
A8	5	5	6	10	12	16
A9	15	18	24.5	35	43	59
B1	24.5	36.5	46	70	97	99.5
B2	4	6.5	8.5	17	15	15
B3	1.6	1.5	1	2	3	2.5
B4	15	25	30	40	63	70
B5	20.5	30	37.5	53	82	84.5
B6	28.3	33.5	45	49	72	87.5
B7	54.3	61.5	85	97	133	177.5
B8	11	10.5	14	30	23	27.5
C1	46	70	90	145	165	200
C2	M4 x P0.7	M5 x P0.8	M6 x P1.0	M8 x P1.25	M10 x P1.5	M12 x P1.75
C3	8	14, 19	19, 24	24, 28	35, 42	42
C4	26	34.1	43	67.5	68.1	72.5
C5	30	50	70	110	130	114.3
C6	M3 x P0.5	M5 x P0.8	M6 x P1.0	M8 x P1.25	M10 x P1.5	M12 x P1.75
C7	42.6	60	90	130	142	180
C8	34.5	44	47	71	82	91
C9	114.8	142	178	238	312	373